

Jackery Solar Generator Connection Guide

US	English	01-12
FR	Français	13-24
ES	Español	25-36
PT	Português (Brasil)	37-48


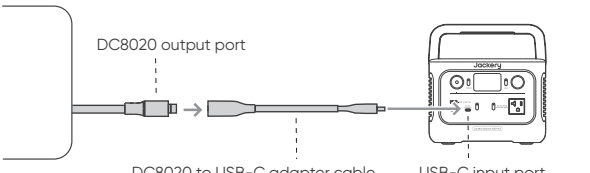

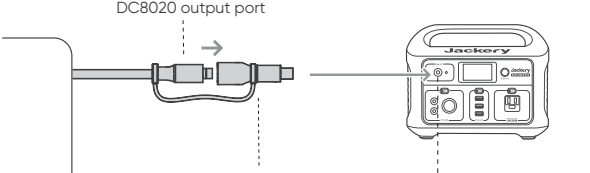

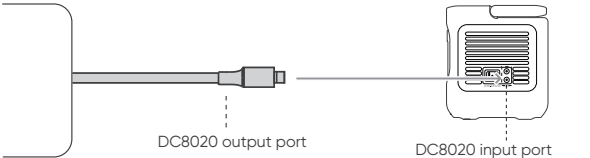
Jackery Solar Generator Connection Guide

US

CONTENTS


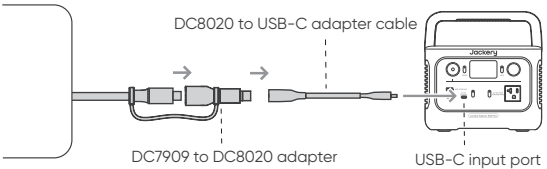

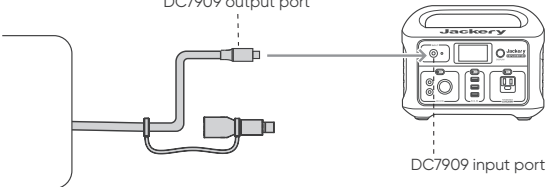

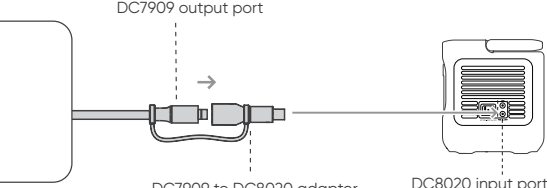
Jackery SolarSaga 40 Mini Solar Panel (JS-40A)	01
Jackery SolarSaga 60 Solar Panel (SPL061)	02
Jackery SolarSaga 80 Solar Panel (JS-80A)	03
Jackery SolarSaga 100 Solar Panel (JS-100A)	04
Jackery SolarSaga 100 Solar Panel (JS-100C)	05
Jackery SolarSaga 100 Solar Panel (JS-100D)	06
Jackery SolarSaga 100 Prime Solar Panel (JS-100E)	07
Jackery SolarSaga 100 Solar Panel (JS-100F)	08
Jackery SolarSaga 200 Solar Panel (JS-200A)	09
Jackery SolarSaga 200 Solar Panel (JS-200C)	10
Jackery SolarSaga 200 Solar Panel (JS-200D)	11
Jackery SolarSaga 85/SolarSaga 500 X Solar Panel (JS-85A / JS-500A)	12


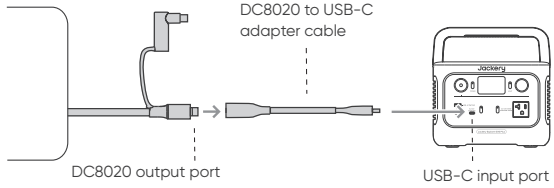

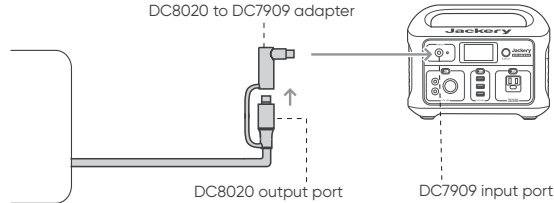

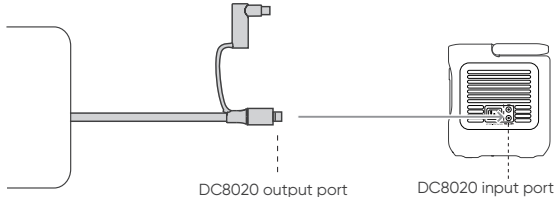
Jackery SolarSaga 40 Mini Solar Panel (JS-40A)

DC Input	Portable Power Station	Connection Method	Connection Details
 USB-C	Explorer 100 Plus Explorer 240 V2 Explorer 280 Plus Explorer 300 Plus	<ol style="list-style-type: none"> 1. Connect the DC8020 output port of the solar panel to the input port of the DC8020 to USB-C adapter cable. 2. Connect the USB-C output port to the DC input port of the power station. 	 <p>DC8020 output port</p> <p>DC8020 to USB-C adapter cable</p> <p>USB-C input port</p>
 DC7909	Explorer 160 Explorer 290 Plus Explorer 1000 Explorer 240 Explorer 290 Explorer 300 Explorer 500 Explorer 550 Explorer 880	<p>*If anything in the package is missing, contact Jackery customer support.</p> <ol style="list-style-type: none"> 1. Connect the DC8020 output port of the solar panel to the DC8020 to DC7909 adapter. 2. Connect the DC7909 output port to the DC input port of the power station. 	 <p>DC8020 output port</p> <p>DC8020 to DC7909 adapter</p> <p>DC7909 input port</p>
 DC8020	Explorer 1000 V2 Explorer 1000 Plus Explorer 1000 Pro Explorer 1500 Explorer 1500 Pro Explorer 2000 V2 Explorer 2000 Plus Explorer 2000 Pro Explorer 3000 Pro Explorer 600 Plus Explorer 700 Plus Explorer 880 Pro HomePower 3000 Explorer 5000 Plus New Arrivals	<p>Connect the DC8020 output port of the solar panel to the DC input port of the power station.</p>	 <p>DC8020 output port</p> <p>DC8020 input port</p>

Jackery SolarSaga 60 Solar Panel (SPL061)


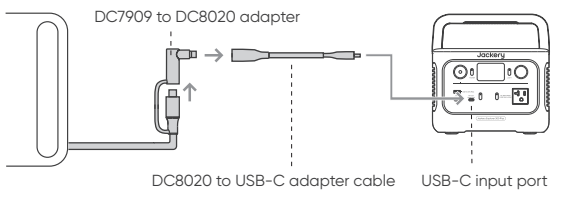

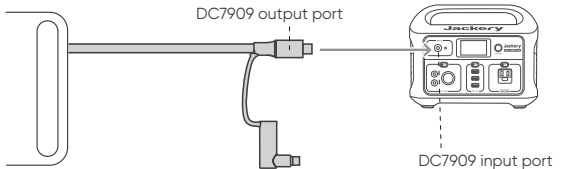

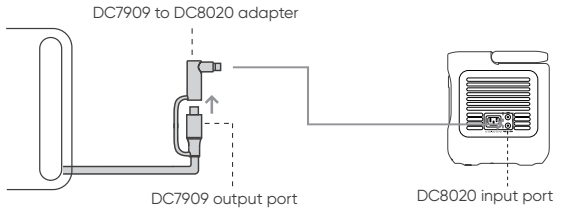
US


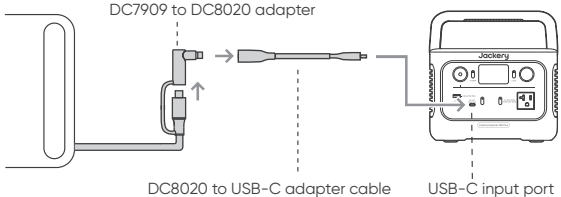

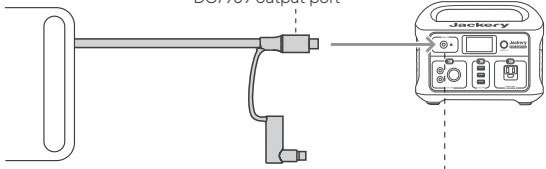

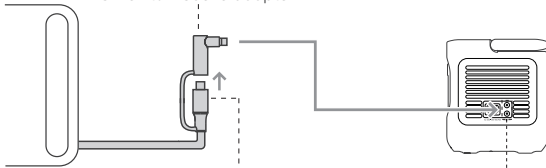
DC Input	Portable Power Station	Connection Method	Connection Details
 USB-C	Explorer 100 Plus Explorer 240 V2 Explorer 280 Plus Explorer 300 Plus	The DC8020 to USB-C adapter cable is sold separately. 1. Connect the DC7909 output port of the solar panel to the input port of the DC7909 to DC8020 adapter. 2. Connect the DC8020 output port to the input port of DC8020 to USB-C adapter cable. 3. Connect the USB-C output port to the DC input port of the power station.	 <p>DC8020 to USB-C adapter cable</p> <p>DC7909 to DC8020 adapter</p> <p>USB-C input port</p>
 DC7909	Explorer 160 Explorer 290 Plus Explorer 1000 Explorer 240 Explorer 290 Explorer 300 Explorer 500 Explorer 550 Explorer 880	Connect the DC7909 output port of the solar panel to the DC input port of the power station.	 <p>DC7909 output port</p> <p>DC7909 input port</p>
 DC8020	Explorer 1000 V2 Explorer 1000 Plus Explorer 1000 Pro Explorer 1500 Explorer 1500 Pro Explorer 2000 V2 Explorer 2000 Plus Explorer 2000 Pro Explorer 3000 Pro Explorer 600 Plus Explorer 700 Plus Explorer 880 Pro HomePower 3000 Explorer 5000 Plus New Arrivals	1. Connect the DC7909 output port of the solar panel to the input port of the DC7909 to DC8020 adapter. 2. Connect the DC8020 output port of the adapter to the DC input port of the power station.	 <p>DC7909 output port</p> <p>DC7909 to DC8020 adapter</p> <p>DC8020 input port</p>

DC Input	Portable Power Station	Connection Method	Connection Details
 USB-C	Explorer 100 Plus Explorer 240 V2 Explorer 280 Plus Explorer 300 Plus	The DC8020 to USB-C adapter cable is sold separately. 1. Connect the DC8020 output port of the solar panel to the input port of the DC8020 to USB-C adapter cable. 2. Connect the USB-C output port to the DC input port of the power station.	 <p>DC8020 output port</p> <p>DC8020 to USB-C adapter cable</p> <p>USB-C input port</p>
 DC7909	Explorer 160 Explorer 290 Plus Explorer 1000 Explorer 240 Explorer 290 Explorer 300 Explorer 500 Explorer 550 Explorer 880	1. Connect the DC8020 output port of the solar panel to the input port of the DC8020 to DC7909 adapter. 2. Connect the DC7909 output port of the adapter to the DC input port of the power station.	 <p>DC8020 output port</p> <p>DC8020 to DC7909 adapter</p> <p>DC7909 input port</p>
 DC8020	Explorer 1000 V2 Explorer 1000 Plus Explorer 1000 Pro Explorer 1500 Explorer 1500 Pro Explorer 2000 V2 Explorer 2000 Plus Explorer 2000 Pro Explorer 3000 Pro Explorer 600 Plus Explorer 700 Plus Explorer 880 Pro HomePower 3000 Explorer 5000 Plus New Arrivals	Connect the DC8020 output port of the solar panel to the DC input port of the power station.	 <p>DC8020 output port</p> <p>DC8020 input port</p>

Jackery SolarSaga 100 Solar Panel (JS-100A)


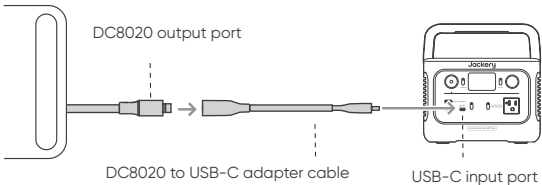

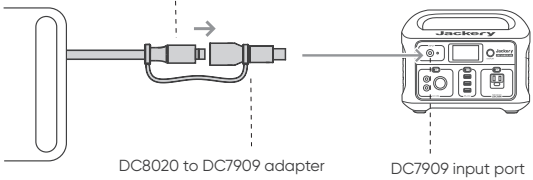

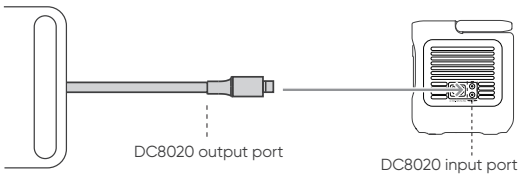
US

DC Input	Portable Power Station	Connection Method	Connection Details
 USB-C	Explorer 100 Plus Explorer 240 V2 Explorer 280 Plus Explorer 300 Plus	The DC8020 to USB-C adapter cable is sold separately. 1. Connect the DC7909 output port of the solar panel to the input port of the DC7909 to DC8020 adapter. 2. Connect the DC8020 output port to the input port of DC8020 to USB-C adapter cable. 3. Connect the USB-C output port to the DC input port of the power station.	 <p>DC7909 to DC8020 adapter</p> <p>DC8020 to USB-C adapter cable</p> <p>USB-C input port</p>
 DC7909	Explorer 160 Explorer 290 Plus Explorer 1000 Explorer 240 Explorer 290 Explorer 300 Explorer 500 Explorer 550 Explorer 880	Connect the DC7909 output port of the solar panel to the DC input port of the power station.	 <p>DC7909 output port</p> <p>DC7909 input port</p>
 DC8020	Explorer 1000 V2 Explorer 1000 Plus Explorer 1000 Pro Explorer 1500 Explorer 1500 Pro Explorer 2000 V2 Explorer 2000 Plus Explorer 2000 Pro Explorer 3000 Pro Explorer 600 Plus Explorer 700 Plus Explorer 880 Pro HomePower 3000 Explorer 5000 Plus New Arrivals	1. Connect the DC7909 output port of the solar panel to the input port of the DC7909 to DC8020 adapter. 2. Connect the DC8020 output port of the adapter to the DC input port of the power station.	 <p>DC7909 to DC8020 adapter</p> <p>DC7909 output port</p> <p>DC8020 input port</p>


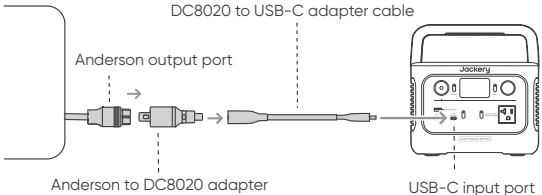

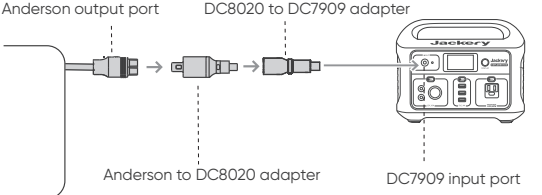

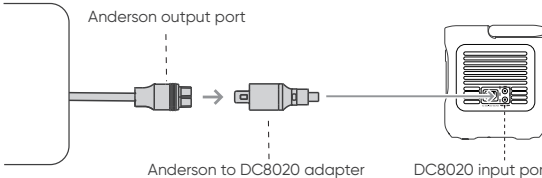
DC Input	Portable Power Station	Connection Method	Connection Details
 USB-C	Explorer 100 Plus Explorer 240 V2 Explorer 280 Plus Explorer 300 Plus	The DC8020 to USB-C adapter cable is sold separately. 1. Connect the DC7909 output port of the solar panel to the input port of the DC7909 to DC8020 adapter. 2. Connect the DC8020 output port to the input port of DC8020 to USB-C adapter cable. 3. Connect the USB-C output port to the DC input port of the power station.	 <p>DC7909 to DC8020 adapter</p> <p>DC8020 to USB-C adapter cable</p> <p>USB-C input port</p>
 DC7909	Explorer 160 Explorer 290 Plus Explorer 1000 Explorer 240 Explorer 290 Explorer 300 Explorer 500 Explorer 550 Explorer 880	Connect the DC7909 output port of the solar panel to the DC input port of the power station.	 <p>DC7909 output port</p> <p>DC7909 input port</p>
 DC8020	Explorer 1000 V2 Explorer 1000 Plus Explorer 1000 Pro Explorer 1500 Explorer 1500 Pro Explorer 2000 V2 Explorer 2000 Plus Explorer 2000 Pro Explorer 3000 Pro Explorer 600 Plus Explorer 700 Plus Explorer 880 Pro HomePower 3000 Explorer 5000 Plus New Arrivals	1. Connect the DC7909 output port of the solar panel to the input port of the DC7909 to DC8020 adapter. 2. Connect the DC8020 output port of the adapter to the DC input port of the power station.	 <p>DC7909 to DC8020 adapter</p> <p>DC7909 output port</p> <p>DC8020 input port</p>

Jackery SolarSaga 100 Mini Solar Panel (JS-100D)

US


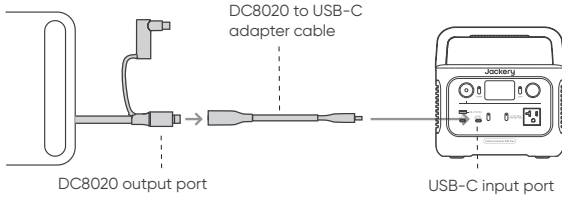

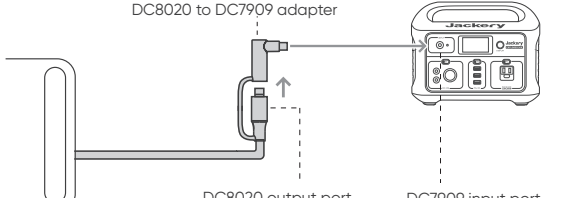

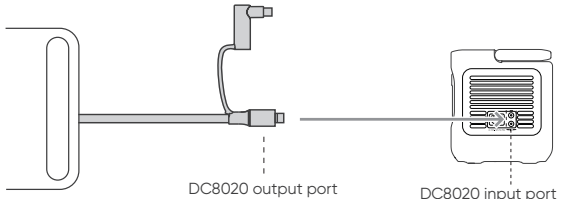
DC Input	Portable Power Station	Connection Method	Connection Details
 USB-C	Explorer 100 Plus Explorer 240 V2 Explorer 280 Plus Explorer 300 Plus	The DC8020 to USB-C adapter cable is sold separately. 1. Connect the DC8020 output port of the solar panel to the input port of the DC8020 to USB-C adapter cable. 2. Connect the USB-C output port to the DC input port of the power station.	 <p>DC8020 output port</p> <p>DC8020 to USB-C adapter cable</p> <p>USB-C input port</p>
 DC7909	Explorer 160 Explorer 290 Plus Explorer 1000 Explorer 240 Explorer 290 Explorer 300 Explorer 500 Explorer 550 Explorer 880	The DC8020 to DC7909 adapter is sold separately. 1. Connect the DC8020 output port of the solar panel to the input port of the DC8020 to DC7909 adapter. 2. Connect the DC7909 output port to the DC input port of the power station.	 <p>DC8020 output port</p> <p>DC8020 to DC7909 adapter</p> <p>DC7909 input port</p>
 DC8020	Explorer 1000 V2 Explorer 1000 Plus Explorer 1000 Pro Explorer 1500 Explorer 1500 Pro Explorer 2000 V2 Explorer 2000 Plus Explorer 2000 Pro Explorer 3000 Pro Explorer 600 Plus Explorer 700 Plus Explorer 880 Pro HomePower 3000 Explorer 5000 Plus New Arrivals	Connect the DC8020 output port of the solar panel to the DC input port of the power station.	 <p>DC8020 output port</p> <p>DC8020 input port</p>


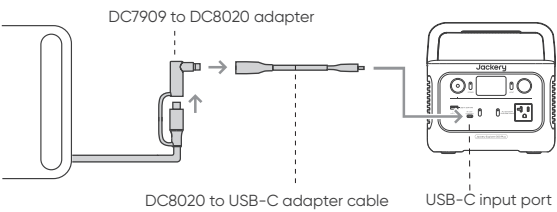

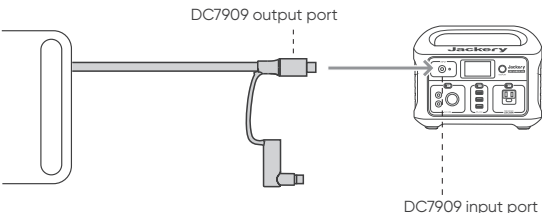

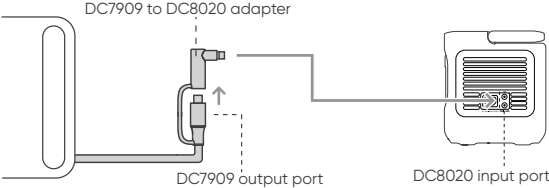
Jackery SolarSaga 100 Prime Solar Panel (JS-100E)

DC Input	Portable Power Station	Connection Method	Connection Details
 USB-C	Explorer 100 Plus Explorer 240 V2 Explorer 280 Plus Explorer 300 Plus	The DC8020 to USB-C adapter cable is sold separately. 1. Connect the Anderson output port of the solar panel to the input port of the Anderson to DC8020 adapter. 2. Connect the DC8020 output port to the input port of the DC8020 to USB-C adapter cable. 3. Connect the USB-C output port to the DC input port of the power station.	 <p>DC8020 to USB-C adapter cable</p> <p>Anderson output port</p> <p>Anderson to DC8020 adapter</p> <p>USB-C input port</p>
 DC7909	Explorer 160 Explorer 290 Plus Explorer 1000 Explorer 240 Explorer 290 Explorer 300 Explorer 500 Explorer 550 Explorer 880	The DC8020 to DC7909 adapter is sold separately. 1. Connect the Anderson output port of the solar panel to the input port of the Anderson to DC8020 adapter. 2. Connect the DC8020 output port to the input port of the DC8020 to DC7909 adapter. 3. Connect the DC7909 output port to the DC input port of the power station.	 <p>Anderson output port</p> <p>DC8020 to DC7909 adapter</p> <p>Anderson to DC8020 adapter</p> <p>DC7909 input port</p>
 DC8020	Explorer 1000 V2 Explorer 1000 Plus Explorer 1000 Pro Explorer 1500 Explorer 1500 Pro Explorer 2000 V2 Explorer 2000 Plus Explorer 2000 Pro Explorer 3000 Pro Explorer 600 Plus Explorer 700 Plus Explorer 880 Pro HomePower 3000 Explorer 5000 Plus New Arrivals	1. Connect the Anderson output port of the solar panel to the input port of the Anderson to DC8020 adapter. 2. Connect the DC8020 output port to the DC input port of the power station.	 <p>Anderson output port</p> <p>Anderson to DC8020 adapter</p> <p>DC8020 input port</p>

Jackery SolarSaga 100 Solar Panel (JS-100F)


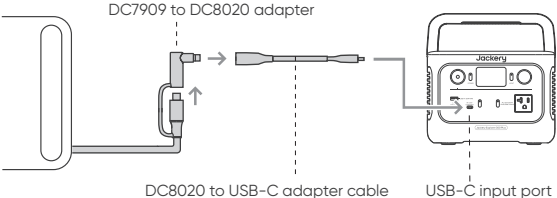

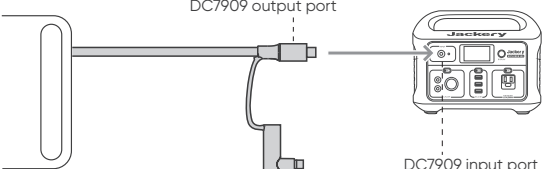

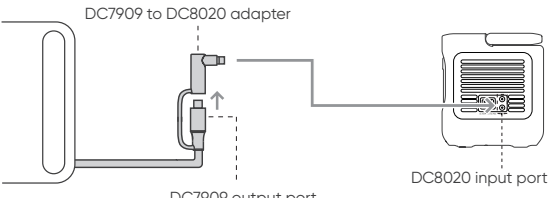
US


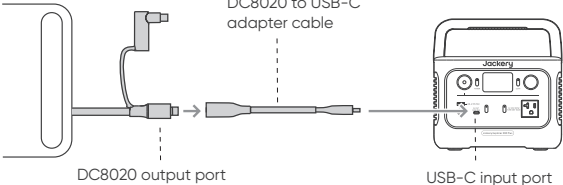

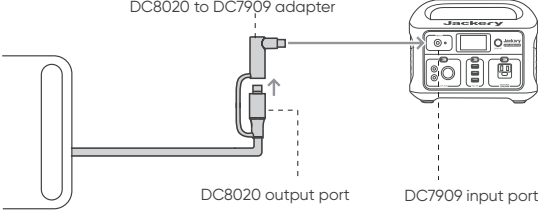

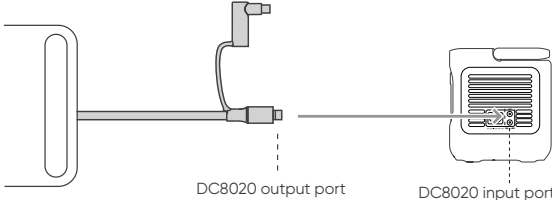
DC Input	Portable Power Station	Connection Method	Connection Details
 USB-C	Explorer 100 Plus Explorer 240 V2 Explorer 280 Plus Explorer 300 Plus	The DC8020 to USB-C adapter cable is sold separately. 1. Connect the DC8020 output port of the solar panel to the input port of the DC8020 to USB-C adapter cable. 2. Connect the USB-C output port to the DC input port of the power station.	 <p>DC8020 output port</p> <p>DC8020 to USB-C adapter cable</p> <p>USB-C input port</p>
 DC7909	Explorer 160 Explorer 290 Plus Explorer 1000 Explorer 240 Explorer 290 Explorer 300 Explorer 500 Explorer 550 Explorer 880	1. Connect the DC8020 output port of the solar panel to the input port of the DC8020 to DC7909 adapter. 2. Connect the DC7909 output port of the adapter to the DC input port of the power station.	 <p>DC8020 to DC7909 adapter</p> <p>DC8020 output port</p> <p>DC7909 input port</p>
 DC8020	Explorer 1000 V2 Explorer 1000 Plus Explorer 1000 Pro Explorer 1500 Explorer 1500 Pro Explorer 2000 V2 Explorer 2000 Plus Explorer 2000 Pro Explorer 3000 Pro Explorer 600 Plus Explorer 700 Plus Explorer 880 Pro HomePower 3000 Explorer 5000 Plus New Arrivals	Connect the DC8020 output port of the solar panel to the DC input port of the power station.	 <p>DC8020 output port</p> <p>DC8020 input port</p>

DC Input	Portable Power Station	Connection Method	Connection Details
 USB-C	Explorer 100 Plus Explorer 240 V2 Explorer 280 Plus Explorer 300 Plus	The DC8020 to USB-C adapter cable is sold separately. 1. Connect the DC7909 output port of the solar panel to the input port of the DC7909 to DC8020 adapter. 2. Connect the DC8020 output port to the input port of DC8020 to USB-C adapter cable. 3. Connect the USB-C output port to the DC input port of the power station.	 <p>DC7909 to DC8020 adapter</p> <p>DC8020 to USB-C adapter cable</p> <p>USB-C input port</p>
 DC7909	Explorer 160 Explorer 290 Plus Explorer 1000 Explorer 240 Explorer 290 Explorer 300 Explorer 500 Explorer 550 Explorer 880	Connect the DC7909 output port of the solar panel to the DC input port of the power station.	 <p>DC7909 output port</p> <p>DC7909 input port</p>
 DC8020	Explorer 1000 V2 Explorer 1000 Plus Explorer 1000 Pro Explorer 1500 Explorer 1500 Pro Explorer 2000 V2 Explorer 2000 Plus Explorer 2000 Pro Explorer 3000 Pro Explorer 600 Plus Explorer 700 Plus Explorer 880 Pro HomePower 3000 Explorer 5000 Plus New Arrivals	1. Connect the DC7909 output port of the solar panel to the input port of the DC7909 to DC8020 adapter. 2. Connect the DC8020 output port of the adapter to the DC input port of the power station.	 <p>DC7909 to DC8020 adapter</p> <p>DC7909 output port</p> <p>DC8020 input port</p>

Jackery SolarSaga 200 Solar Panel (JS-200C)

US

DC Input	Portable Power Station	Connection Method	Connection Details
 USB-C	Explorer 100 Plus Explorer 240 V2 Explorer 280 Plus Explorer 300 Plus	The DC8020 to USB-C adapter cable is sold separately. 1. Connect the DC7909 output port of the solar panel to the input port of the DC7909 to DC8020 adapter. 2. Connect the DC8020 output port to the input port of DC8020 to USB-C adapter cable. 3. Connect the USB-C output port to the DC input port of the power station.	 <p>DC7909 to DC8020 adapter</p> <p>DC8020 to USB-C adapter cable</p> <p>USB-C input port</p>
 DC7909	Explorer 160 Explorer 290 Plus Explorer 1000 Explorer 240 Explorer 290 Explorer 300 Explorer 500 Explorer 550 Explorer 880	Connect the DC7909 output port of the solar panel to the DC input port of the power station.	 <p>DC7909 output port</p> <p>DC7909 input port</p>
 DC8020	Explorer 1000 V2 Explorer 1000 Plus Explorer 1000 Pro Explorer 1500 Explorer 1500 Pro Explorer 2000 V2 Explorer 2000 Plus Explorer 2000 Pro Explorer 3000 Pro Explorer 600 Plus Explorer 700 Plus Explorer 880 Pro HomePower 3000 Explorer 5000 Plus New Arrivals	1. Connect the DC7909 output port of the solar panel to the input port of the DC7909 to DC8020 adapter. 2. Connect the DC8020 output port of the adapter to the DC input port of the power station.	 <p>DC7909 to DC8020 adapter</p> <p>DC7909 output port</p> <p>DC8020 input port</p>

DC Input	Portable Power Station	Connection Method	Connection Details
 USB-C	Explorer 100 Plus Explorer 240 V2 Explorer 280 Plus Explorer 300 Plus	The DC8020 to USB-C adapter cable is sold separately. 1. Connect the DC8020 output port of the solar panel to the input port of the DC8020 to USB-C adapter cable. 2. Connect the USB-C output port to the DC input port of the power station.	 DC8020 output port DC8020 to USB-C adapter cable USB-C input port
 DC7909	Explorer 160 Explorer 290 Plus Explorer 1000 Explorer 240 Explorer 290 Explorer 300 Explorer 500 Explorer 550 Explorer 880	1. Connect the DC8020 output port of the solar panel to the input port of the DC8020 to DC7909 adapter. 2. Connect the DC7909 output port of the adapter to the DC input port of the power station.	 DC8020 output port DC8020 to DC7909 adapter DC7909 input port
 DC8020	Explorer 1000 V2 Explorer 1000 Plus Explorer 1000 Pro Explorer 1500 Explorer 1500 Pro Explorer 2000 V2 Explorer 2000 Plus Explorer 2000 Pro Explorer 3000 Pro Explorer 600 Plus Explorer 700 Plus Explorer 880 Pro HomePower 3000 Explorer 5000 Plus New Arrivals	Connect the DC8020 output port of the solar panel to the DC input port of the power station.	 DC8020 output port DC8020 input port

Jackery SolarSaga 85/SolarSaga 500 X Solar Panel (JS-85A/ JS-500A)

US


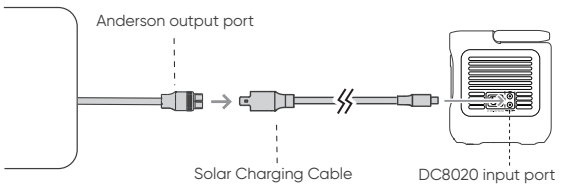

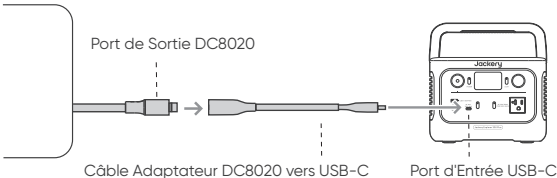

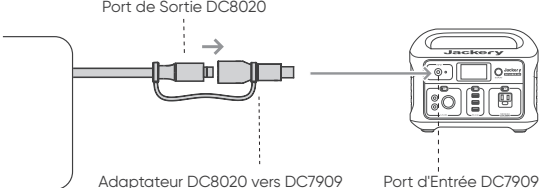

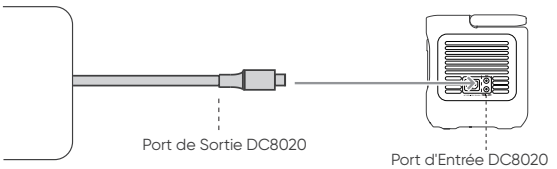
DC Input	Portable Power Station	Connection Method	Connection Details
 DC8020	Explorer 1000 V2 Explorer 1000 Plus Explorer 1000 Pro Explorer 1500 Explorer 1500 Pro Explorer 2000 V2 Explorer 2000 Plus Explorer 2000 Pro Explorer 3000 Pro Explorer 600 Plus Explorer 700 Plus Explorer 880 Pro HomePower 3000 Explorer 5000 Plus New Arrivals	<ol style="list-style-type: none">1. Connect the Anderson output port of the solar panel to the input port of the Solar Charging Cable.2. Connect the DC8020 output port to the DC input port of the power station.	 <p>The diagram illustrates the connection process. On the left, a bracket indicates the 'Anderson output port' of a solar panel. A cable with an Anderson connector is shown. An arrow points to the 'Solar Charging Cable', which has a DC8020 connector on one end. A double-slash break symbol indicates the cable continues. The final end of the cable is connected to the 'DC8020 input port' on the back of a power station.</p>


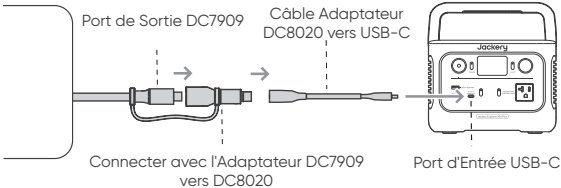

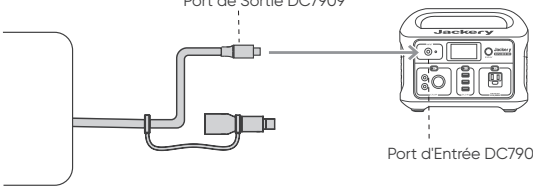

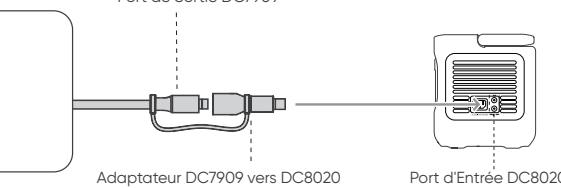
TABLE DES MATIÈRES


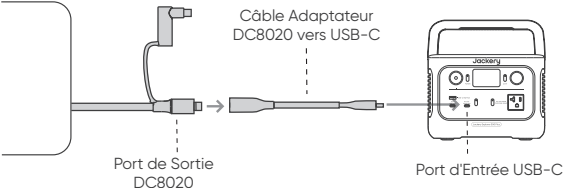

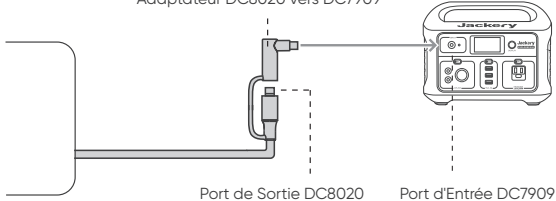

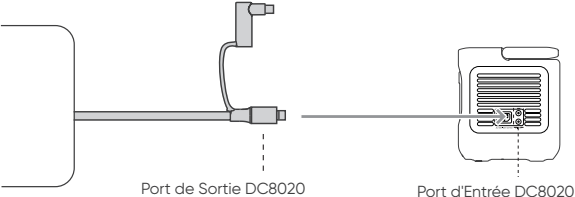
Mini Jackery Panneau Solaire SolarSaga 40 (JS-40A)	13
Jackery Panneau Solaire SolarSaga 60 (SPL061)	14
Jackery Panneau Solaire SolarSaga 80 (JS-80A)	15
Jackery Panneau Solaire SolarSaga 100 (JS-100A)	16
Jackery Panneau Solaire SolarSaga 100 (JS-100C)	17
Jackery Panneau Solaire SolarSaga 100 (JS-100D)	18
Jackery Panneau Solaire SolarSaga 100 Prime (JS-100E)	19
Jackery Panneau Solaire SolarSaga 100 (JS-100F)	20
Jackery Panneau Solaire SolarSaga 200 (JS-200A)	21
Jackery Panneau Solaire SolarSaga 200 (JS-200C)	22
Jackery Panneau Solaire SolarSaga 200 (JS-200D)	23
Jackery Panneau Solaire SolarSaga 85/SolarSaga 500 X (JS-85A/JS-500A)	24


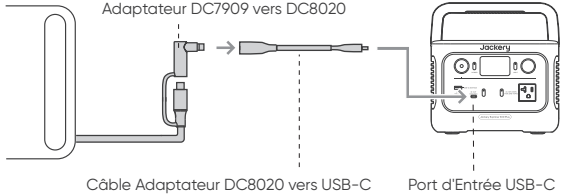

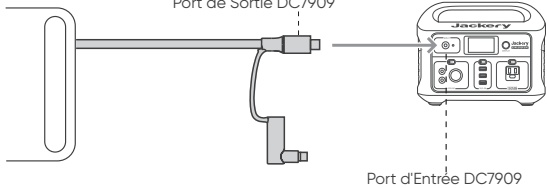

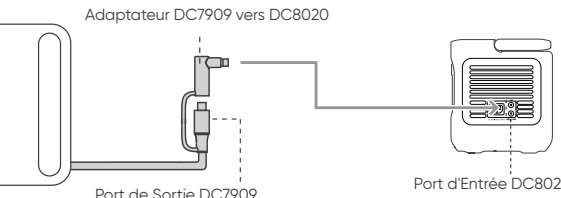
Mini Jackery Panneau Solaire SolarSaga 40 (JS-40A)

FR

Entrée CC	Station d'Alimentation Portable	Méthode de Connexion	Détails de la Connexion
 USB-C	Explorer 100 Plus Explorer 240 V2 Explorer 280 Plus Explorer 300 Plus	<ol style="list-style-type: none"> 1. Connectez le port de sortie DC8020 du panneau solaire au port d'entrée du câble adaptateur DC8020 vers USB-C. 2. Connectez le port de sortie USB-C au port d'entrée DC de la station d'alimentation. 	 <p>Port de Sortie DC8020</p> <p>Câble Adaptateur DC8020 vers USB-C</p> <p>Port d'Entrée USB-C</p>
 DC7909	Explorer 160 Explorer 290 Plus Explorer 1000 Explorer 240 Explorer 290 Explorer 300 Explorer 500 Explorer 550 Explorer 880	<p>* Si des pièces sont manquantes, veuillez contacter le service à la clientèle de Jackery.</p> <ol style="list-style-type: none"> 1. Connectez le port de sortie DC8020 du panneau solaire à l'adaptateur DC8020 vers DC7909. 2. Connectez le port de sortie DC7909 au port d'entrée DC de la station d'alimentation. 	 <p>Port de Sortie DC8020</p> <p>Adaptateur DC8020 vers DC7909</p> <p>Port d'Entrée DC7909</p>
 DC8020	Explorer 1000 V2 Explorer 1000 Plus Explorer 1000 Pro Explorer 1500 Explorer 1500 Pro Explorer 2000 V2 Explorer 2000 Plus Explorer 2000 Pro Explorer 3000 Pro Explorer 600 Plus Explorer 700 Plus Explorer 880 Pro HomePower 3000 Explorer 5000 Plus Nouveautés	Connectez le port de sortie DC8020 du panneau solaire au port d'entrée DC de la station d'alimentation.	 <p>Port de Sortie DC8020</p> <p>Port d'Entrée DC8020</p>


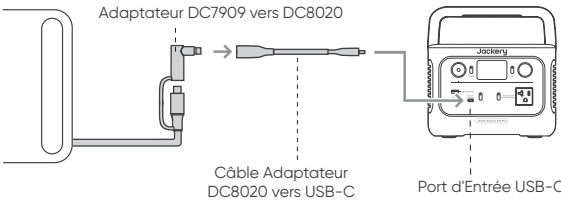

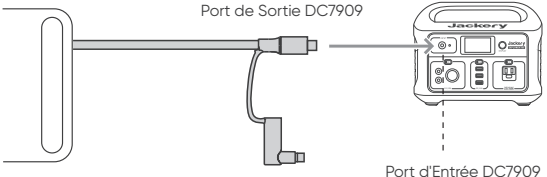

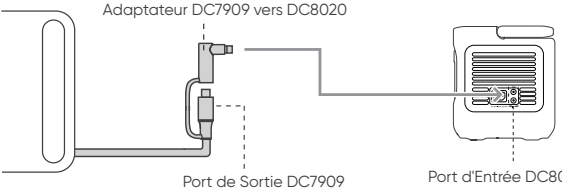
Entrée CC	Station d'Alimentation Portable	Méthode de Connexion	Détails de la Connexion
 USB-C	Explorer 100 Plus Explorer 240 V2 Explorer 280 Plus Explorer 300 Plus	Le câble adaptateur DC8020 vers USB-C est vendu séparément. 1. Connectez le port de sortie DC7909 du panneau solaire à l'adaptateur DC7909 vers DC8020. 2. Connectez le port de sortie DC8020 au câble adaptateur DC8020 vers USB-C. 3. Connectez le port de sortie USB-C au port d'entrée DC de la station d'alimentation.	 <p>Port de Sortie DC7909</p> <p>Câble Adaptateur DC8020 vers USB-C</p> <p>Connecter avec l'Adaptateur DC7909 vers DC8020</p> <p>Port d'Entrée USB-C</p>
 DC7909	Explorer 160 Explorer 290 Plus Explorer 1000 Explorer 240 Explorer 290 Explorer 300 Explorer 500 Explorer 550 Explorer 880	Connectez le port de sortie DC7909 du panneau solaire au port d'entrée DC de la station d'alimentation.	 <p>Port de Sortie DC7909</p> <p>Port d'Entrée DC7909</p>
 DC8020	Explorer 1000 V2 Explorer 1000 Plus Explorer 1000 Pro Explorer 1500 Explorer 1500 Pro Explorer 2000 V2 Explorer 2000 Plus Explorer 2000 Pro Explorer 3000 Pro Explorer 600 Plus Explorer 700 Plus Explorer 880 Pro HomePower 3000 Explorer 5000 Plus Nouveautés	1. Connectez le port de sortie DC7909 du panneau solaire à l'adaptateur DC7909 vers DC8020. 2. Connectez le port de sortie DC8020 de l'adaptateur au port d'entrée DC de la station d'alimentation.	 <p>Port de Sortie DC7909</p> <p>Adaptateur DC7909 vers DC8020</p> <p>Port d'Entrée DC8020</p>

Entrée CC	Station d'Alimentation Portable	Méthode de Connexion	Détails de la Connexion
 USB-C	Explorer 100 Plus Explorer 240 V2 Explorer 280 Plus Explorer 300 Plus	Le câble adaptateur DC8020 vers USB-C est vendu séparément. 1. Connectez le port de sortie DC8020 du panneau solaire au port d'entrée du câble adaptateur DC8020 vers USB-C. 2. Connectez le port de sortie USB-C au port d'entrée DC de la station d'alimentation.	 <p>Câble Adaptateur DC8020 vers USB-C</p> <p>Port de Sortie DC8020</p> <p>Port d'Entrée USB-C</p>
 DC7909	Explorer 160 Explorer 290 Plus Explorer 1000 Explorer 240 Explorer 290 Explorer 300 Explorer 500 Explorer 550 Explorer 880	1. Connectez le port de sortie DC8020 du panneau solaire à l'adaptateur DC8020 vers DC7909 du câble. 2. Connectez le port de sortie DC7909 de l'adaptateur au port d'entrée DC de la station d'alimentation.	 <p>Adaptateur DC8020 vers DC7909</p> <p>Port de Sortie DC8020</p> <p>Port d'Entrée DC7909</p>
 DC8020	Explorer 1000 V2 Explorer 1000 Plus Explorer 1000 Pro Explorer 1500 Explorer 1500 Pro Explorer 2000 V2 Explorer 2000 Plus Explorer 2000 Pro Explorer 3000 Pro Explorer 600 Plus Explorer 700 Plus Explorer 880 Pro HomePower 3000 Explorer 5000 Plus Nouveautés	Connectez le port de sortie DC8020 du panneau solaire au port d'entrée DC de la station d'alimentation.	 <p>Port de Sortie DC8020</p> <p>Port d'Entrée DC8020</p>


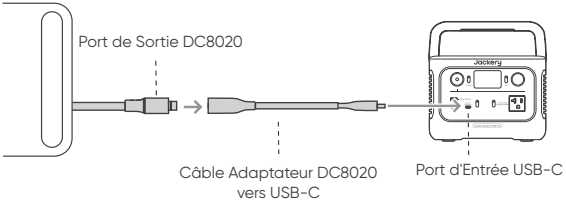

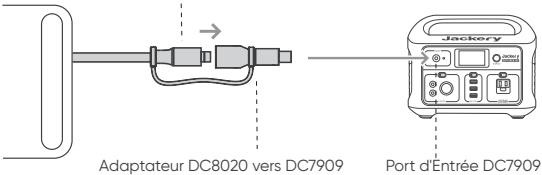

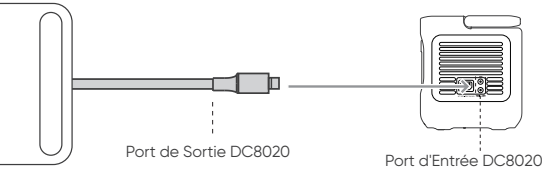
Entrée CC	Station d'Alimentation Portable	Méthode de Connexion	Détails de la Connexion
 USB-C	Explorer 100 Plus Explorer 240 V2 Explorer 280 Plus Explorer 300 Plus	Le câble adaptateur DC8020 vers USB-C est vendu séparément. 1. Connectez le port de sortie DC7909 du panneau solaire à l'adaptateur DC7909 vers DC8020. 2. Connectez le port de sortie DC8020 au câble adaptateur DC8020 vers USB-C. 3. Connectez le port de sortie USB-C au port d'entrée DC de la station d'alimentation.	 <p>Adaptateur DC7909 vers DC8020</p> <p>Câble Adaptateur DC8020 vers USB-C</p> <p>Port d'Entrée USB-C</p>
 DC7909	Explorer 160 Explorer 290 Plus Explorer 1000 Explorer 240 Explorer 290 Explorer 300 Explorer 500 Explorer 550 Explorer 880	Connectez le port de sortie DC7909 du panneau solaire au port d'entrée DC de la station d'alimentation.	 <p>Port de Sortie DC7909</p> <p>Port d'Entrée DC7909</p>
 DC8020	Explorer 1000 V2 Explorer 1000 Plus Explorer 1000 Pro Explorer 1500 Explorer 1500 Pro Explorer 2000 V2 Explorer 2000 Plus Explorer 2000 Pro Explorer 3000 Pro Explorer 600 Plus Explorer 700 Plus Explorer 880 Pro HomePower 3000 Explorer 5000 Plus Nouveautés	1. Connectez le port de sortie DC7909 du panneau solaire à l'adaptateur DC7909 vers DC8020. 2. Connectez le port de sortie DC8020 de l'adaptateur au port d'entrée DC de la station d'alimentation.	 <p>Adaptateur DC7909 vers DC8020</p> <p>Port de Sortie DC7909</p> <p>Port d'Entrée DC8020</p>


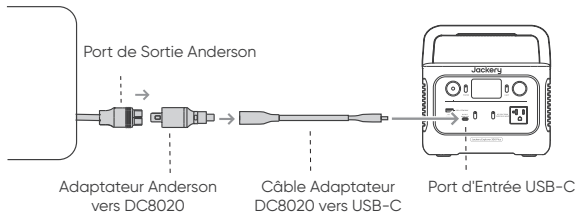

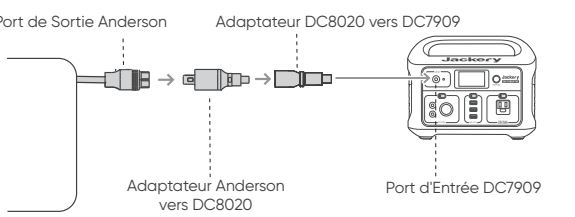

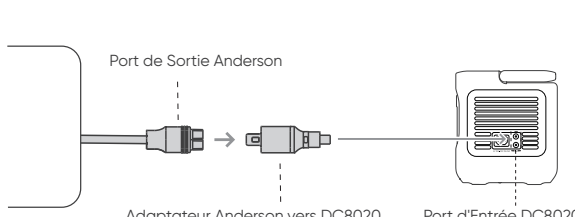
Jackery Panneau Solaire SolarSaga 100 (JS-100C)


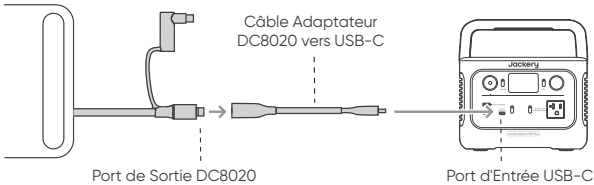

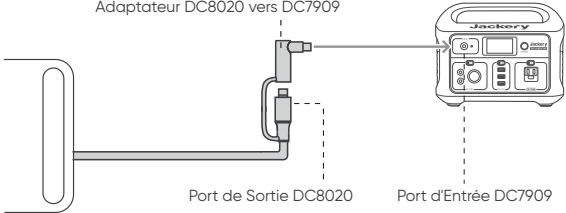

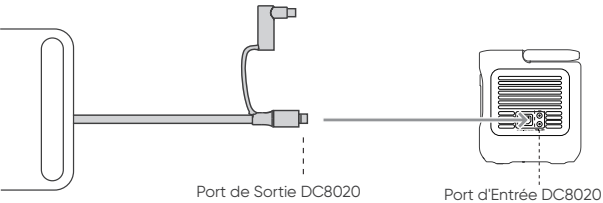
FR

Entrée CC	Station d'Alimentation Portable	Méthode de Connexion	Détails de la Connexion
 <p>USB-C</p>	<p>Explorer 100 Plus Explorer 240 Plus Explorer 280 Plus Explorer 300 Plus</p>	<p>Le câble adaptateur DC8020 vers USB-C est vendu séparément.</p> <ol style="list-style-type: none"> 1. Connectez le port de sortie DC7909 du panneau solaire à l'adaptateur DC7909 vers DC8020. 2. Connectez le port de sortie DC8020 au câble adaptateur DC8020 vers USB-C. 3. Connectez le port de sortie USB-C au port d'entrée DC de la station d'alimentation. 	 <p>Adaptateur DC7909 vers DC8020</p> <p>Câble Adaptateur DC8020 vers USB-C</p> <p>Port d'Entrée USB-C</p>
 <p>DC7909</p>	<p>Explorer 160 Explorer 290 Plus Explorer 1000 Explorer 240 Explorer 290 Explorer 300 Explorer 500 Explorer 550 Explorer 880</p>	<p>Connectez le port de sortie DC7909 du panneau solaire au port d'entrée DC de la station d'alimentation.</p>	 <p>Port de Sortie DC7909</p> <p>Port d'Entrée DC7909</p>
 <p>DC8020</p>	<p>Explorer 1000 V2 Explorer 1000 Plus Explorer 1000 Pro Explorer 1500 Explorer 1500 Pro Explorer 2000 V2 Explorer 2000 Plus Explorer 2000 Pro Explorer 3000 Pro Explorer 600 Plus Explorer 700 Plus Explorer 880 Pro HomePower 3000 Explorer 5000 Plus Nouveautés</p>	<ol style="list-style-type: none"> 1. Connectez le port de sortie DC7909 du panneau solaire à l'adaptateur DC7909 vers DC8020 du câble. 2. Connectez le port de sortie DC8020 de l'adaptateur au port d'entrée DC de la station d'alimentation. 	 <p>Adaptateur DC7909 vers DC8020</p> <p>Port de Sortie DC7909</p> <p>Port d'Entrée DC8020</p>

Jackery Panneau Solaire SolarSaga 100 Mini (JS-100D)


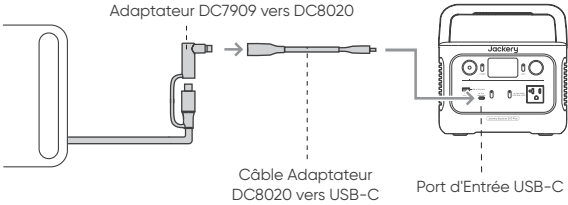

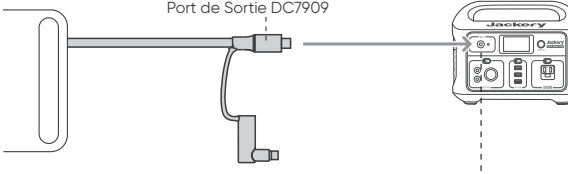

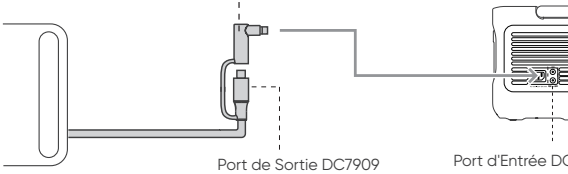
Entrée CC	Station d'Alimentation Portable	Méthode de Connexion	Détails de la Connexion
 USB-C	Explorer 100 Plus Explorer 240 V2 Explorer 280 Plus Explorer 300 Plus	Le câble adaptateur DC8020 vers USB-C est vendu séparément. 1. Connectez le port de sortie DC8020 du panneau solaire au port d'entrée du câble adaptateur DC8020 vers USB-C. 2. Connectez le port de sortie USB-C au port d'entrée DC de la station d'alimentation.	 <p>Port de Sortie DC8020</p> <p>Câble Adaptateur DC8020 vers USB-C</p> <p>Port d'Entrée USB-C</p>
 DC7909	Explorer 160 Explorer 290 Plus Explorer 1000 Explorer 240 Explorer 290 Explorer 300 Explorer 500 Explorer 550 Explorer 880	Les utilisateurs doivent acheter un adaptateur DC8020 vers DC7909 séparément. 1. Connectez le port de sortie DC8020 du panneau solaire à l'adaptateur DC8020 vers DC7909. 2. Connectez le port de sortie DC7909 de l'adaptateur au port d'entrée DC de la station d'alimentation.	 <p>Port de Sortie DC8020</p> <p>Adaptateur DC8020 vers DC7909</p> <p>Port d'Entrée DC7909</p>
 DC8020	Explorer 1000 V2 Explorer 1000 Plus Explorer 1000 Pro Explorer 1500 Explorer 1500 Pro Explorer 2000 V2 Explorer 2000 Plus Explorer 2000 Pro Explorer 3000 Pro Explorer 600 Plus Explorer 700 Plus Explorer 880 Pro HomePower 3000 Explorer 5000 Plus Nouveautés	Connectez le port de sortie DC8020 du panneau solaire au port d'entrée DC de la station d'alimentation.	 <p>Port de Sortie DC8020</p> <p>Port d'Entrée DC8020</p>

Entrée CC	Station d'Alimentation Portable	Méthode de Connexion	Détails de la Connexion
 USB-C	Explorer 100 Plus Explorer 240 V2 Explorer 280 Plus Explorer 300 Plus	Le câble adaptateur DC8020 vers USB-C est vendu séparément. 1. Connectez le port de sortie Anderson DC du panneau solaire à l'adaptateur Anderson vers DC8020 du câble. 2. Connectez le port de sortie DC8020 au câble adaptateur DC8020 vers USB-C. 3. Connectez le port de sortie USB-C au port d'entrée DC de la station d'alimentation.	 <p>Port de Sortie Anderson</p> <p>Adaptateur Anderson vers DC8020</p> <p>Câble Adaptateur DC8020 vers USB-C</p> <p>Port d'Entrée USB-C</p>
 DC7909	Explorer 160 Explorer 290 Plus Explorer 1000 Explorer 240 Explorer 290 Explorer 300 Explorer 500 Explorer 550 Explorer 880	Les utilisateurs doivent acheter un adaptateur DC8020 vers DC7909 séparément. 1. Connectez le port de sortie Anderson DC du panneau solaire à l'adaptateur Anderson vers DC8020 du câble. 2. Connectez le port de sortie DC8020 à l'adaptateur DC8020 vers DC7909. 3. Connectez le port de sortie DC7909 au port d'entrée DC de la station d'alimentation.	 <p>Port de Sortie Anderson</p> <p>Adaptateur Anderson vers DC8020</p> <p>Adaptateur DC8020 vers DC7909</p> <p>Port d'Entrée DC7909</p>
 DC8020	Explorer 1000 V2 Explorer 1000 Plus Explorer 1000 Pro Explorer 1500 Explorer 1500 Pro Explorer 2000 V2 Explorer 2000 Plus Explorer 2000 Pro Explorer 3000 Pro Explorer 600 Plus Explorer 700 Plus Explorer 880 Pro HomePower 3000 Explorer 5000 Plus Nouveautés	1. Connectez le port de sortie Anderson DC du panneau solaire à l'adaptateur Anderson vers DC8020 du câble. 2. Connectez le port de sortie DC8020 au port d'entrée DC de la station d'alimentation.	 <p>Port de Sortie Anderson</p> <p>Adaptateur Anderson vers DC8020</p> <p>Port d'Entrée DC8020</p>


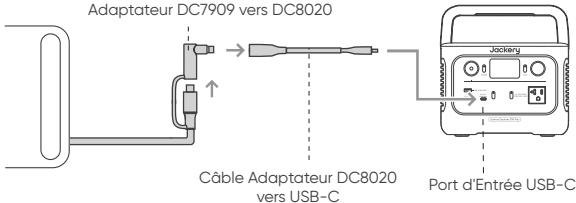

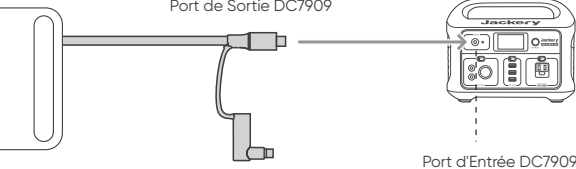

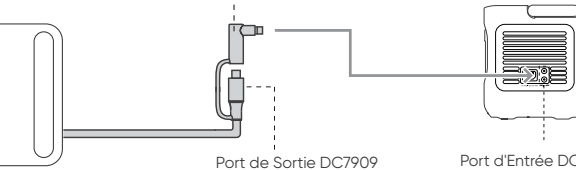
Entrée CC	Station d'Alimentation Portable	Méthode de Connexion	Détails de la Connexion
 USB-C	Explorer 100 Plus Explorer 240 V2 Explorer 280 Plus Explorer 300 Plus	Le câble adaptateur DC8020 vers USB-C est vendu séparément. 1. Connectez le port de sortie DC8020 du panneau solaire au câble adaptateur DC8020 vers USB-C. 2. Connectez le port de sortie USB-C au port d'entrée DC de la station d'alimentation.	 <p>Câble Adaptateur DC8020 vers USB-C</p> <p>Port de Sortie DC8020</p> <p>Port d'Entrée USB-C</p>
 DC7909	Explorer 160 Explorer 290 Plus Explorer 1000 Explorer 240 Explorer 290 Explorer 300 Explorer 500 Explorer 550 Explorer 880	1. Connectez le port de sortie DC8020 du panneau solaire à l'adaptateur DC8020 vers DC7909. 2. Connectez le port de sortie DC7909 de l'adaptateur au port d'entrée DC de la station d'alimentation.	 <p>Adaptateur DC8020 vers DC7909</p> <p>Port de Sortie DC8020</p> <p>Port d'Entrée DC7909</p>
 DC8020	Explorer 1000 V2 Explorer 1000 Plus Explorer 1000 Pro Explorer 1500 Explorer 1500 Pro Explorer 2000 V2 Explorer 2000 Plus Explorer 2000 Pro Explorer 3000 Pro Explorer 600 Plus Explorer 700 Plus Explorer 880 Pro HomePower 3000 Explorer 5000 Plus Nouveautés	Connectez le port de sortie DC8020 du panneau solaire au port d'entrée DC de la station d'alimentation.	 <p>Port de Sortie DC8020</p> <p>Port d'Entrée DC8020</p>

Jackery Panneau Solaire SolarSaga 200 (JS-200A)

FR


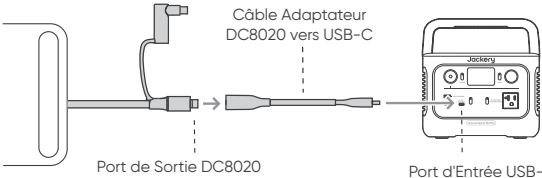

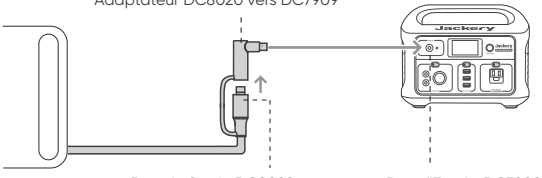

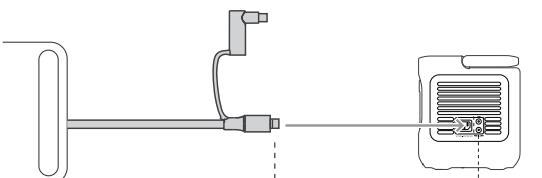
Entrée CC	Station d'Alimentation Portable	Méthode de Connexion	Détails de la Connexion
 <p>USB-C</p>	<p>Explorer 100 Plus Explorer 240 V2 Explorer 280 Plus Explorer 300 Plus</p>	<p>Le câble adaptateur DC8020 vers USB-C est vendu séparément.</p> <ol style="list-style-type: none"> 1. Connectez le port de sortie DC7909 du panneau solaire à l'adaptateur DC7909 vers DC8020. 2. Connectez le port de sortie DC8020 au câble adaptateur DC8020 vers USB-C. 3. Connectez le port de sortie USB-C au port d'entrée DC de la station d'alimentation. 	 <p>Adaptateur DC7909 vers DC8020</p> <p>Câble Adaptateur DC8020 vers USB-C</p> <p>Port d'Entrée USB-C</p>
 <p>DC7909</p>	<p>Explorer 160 Explorer 290 Plus Explorer 1000 Explorer 240 Explorer 290 Explorer 300 Explorer 500 Explorer 550 Explorer 880</p>	<p>Connectez le port de sortie DC7909 du panneau solaire au port d'entrée DC de la station d'alimentation.</p>	 <p>Port de Sortie DC7909</p> <p>Port d'Entrée DC7909</p>
 <p>DC8020</p>	<p>Explorer 1000 V2 Explorer 1000 Plus Explorer 1000 Pro Explorer 1500 Explorer 1500 Pro Explorer 2000 V2 Explorer 2000 Plus Explorer 2000 Pro Explorer 3000 Pro Explorer 600 Plus Explorer 700 Plus Explorer 880 Pro HomePower 3000 Explorer 5000 Plus Nouveautés</p>	<ol style="list-style-type: none"> 1. Connectez le port de sortie DC7909 du panneau solaire à l'adaptateur DC7909 vers DC8020. 2. Connectez le port de sortie DC8020 de l'adaptateur au port d'entrée DC de la station d'alimentation. 	 <p>Adaptateur DC7909 vers DC8020</p> <p>Port de Sortie DC7909</p> <p>Port d'Entrée DC8020</p>

Jackery Panneau Solaire SolarSaga 200 (JS-200C)

Entrée CC	Station d'Alimentation Portable	Méthode de Connexion	Détails de la Connexion
 USB-C	Explorer 100 Plus Explorer 240 V2 Explorer 280 Plus Explorer 300 Plus	<p>Le câble adaptateur DC8020 vers USB-C est vendu séparément.</p> <ol style="list-style-type: none"> 1. Connectez le port de sortie DC7909 du panneau solaire à l'adaptateur DC7909 vers DC8020. 2. Connectez le port de sortie DC8020 au câble adaptateur DC8020 vers USB-C. 3. Connectez le port de sortie USB-C au port d'entrée DC de la station d'alimentation. 	 <p>Adaptateur DC7909 vers DC8020</p> <p>Câble Adaptateur DC8020 vers USB-C</p> <p>Port d'Entrée USB-C</p>
 DC7909	Explorer 160 Explorer 290 Plus Explorer 1000 Explorer 240 Explorer 290 Explorer 300 Explorer 500 Explorer 550 Explorer 880	<p>Connectez le port de sortie DC7909 du panneau solaire au port d'entrée DC de la station d'alimentation.</p>	 <p>Port de Sortie DC7909</p> <p>Port d'Entrée DC7909</p>
 DC8020	Explorer 1000 V2 Explorer 1000 Plus Explorer 1000 Pro Explorer 1500 Explorer 1500 Pro Explorer 2000 V2 Explorer 2000 Plus Explorer 2000 Pro Explorer 3000 Pro Explorer 600 Plus Explorer 700 Plus Explorer 880 Pro HomePower 3000 Explorer 5000 Plus Nouveautés	<ol style="list-style-type: none"> 1. Connectez le port de sortie DC7909 du panneau solaire à l'adaptateur DC7909 vers DC8020. 2. Connectez le port de sortie DC8020 de l'adaptateur au port d'entrée DC de la station d'alimentation. 	 <p>Adaptateur DC7909 vers DC8020</p> <p>Port de Sortie DC7909</p> <p>Port d'Entrée DC8020</p>

Jackery Panneau Solaire SolarSaga 200 (JS-200D)

FR

Entrée CC	Station d'Alimentation Portable	Méthode de Connexion	Détails de la Connexion
 USB-C	Explorer 100 Plus Explorer 240 V2 Explorer 280 Plus Explorer 300 Plus	Le câble adaptateur DC8020 vers USB-C est vendu séparément. 1. Connectez le port de sortie DC8020 du panneau solaire au port d'entrée du câble adaptateur DC8020 vers USB-C. 2. Connectez le port de sortie USB-C au port d'entrée DC de la station d'alimentation.	 <p>Câble Adaptateur DC8020 vers USB-C</p> <p>Port de Sortie DC8020</p> <p>Port d'Entrée USB-C</p>
 DC7909	Explorer 160 Explorer 290 Plus Explorer 1000 Explorer 240 Explorer 290 Explorer 300 Explorer 500 Explorer 550 Explorer 880	1. Connectez le port de sortie DC8020 du panneau solaire à l'adaptateur DC8020 vers DC7909 du câble. 2. Connectez le port de sortie DC7909 de l'adaptateur au port d'entrée DC de la station d'alimentation.	 <p>Adaptateur DC8020 vers DC7909</p> <p>Port de Sortie DC8020</p> <p>Port d'Entrée DC7909</p>
 DC8020	Explorer 1000 V2 Explorer 1000 Plus Explorer 1000 Pro Explorer 1500 Explorer 1500 Pro Explorer 2000 V2 Explorer 2000 Plus Explorer 2000 Pro Explorer 3000 Pro Explorer 600 Plus Explorer 700 Plus Explorer 880 Pro HomePower 3000 Explorer 5000 Plus Nouveautés	Connectez le port de sortie DC8020 du panneau solaire au port d'entrée DC de la station d'alimentation.	 <p>Port de Sortie DC8020</p> <p>Port d'Entrée DC8020</p>


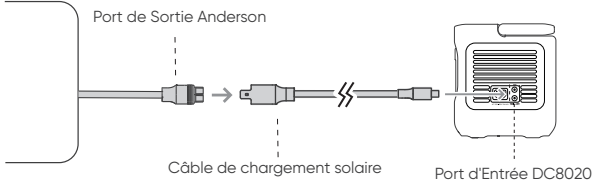

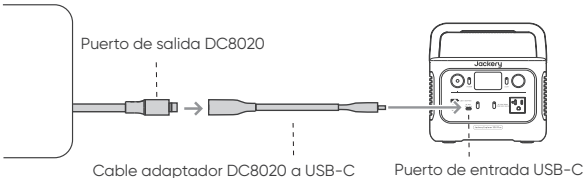

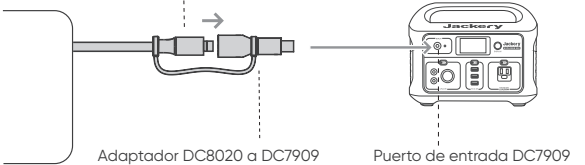

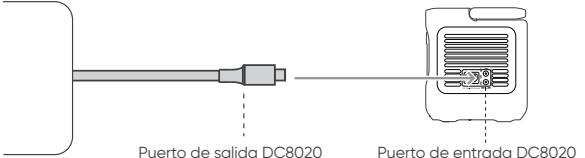
Entrée CC	Station d'Alimentation Portable	Méthode de Connexion	Détails de la Connexion
 DC8020	Explorer 1000 V2 Explorer 1000 Plus Explorer 1000 Pro Explorer 1500 Explorer 1500 Pro Explorer 2000 V2 Explorer 2000 Plus Explorer 2000 Pro Explorer 3000 Pro Explorer 600 Plus Explorer 700 Plus Explorer 880 Pro HomePower 3000 Explorer 5000 Plus Nouveautés	<ol style="list-style-type: none"> 1. Connectez le port de sortie Anderson DC du panneau solaire à l'adaptateur Câble de chargement solaire. 2. Connectez le port de sortie DC8020 à la station d'alimentation. 	 <p>The diagram illustrates the connection process. On the left, a bracket groups the Anderson DC output port of the solar panel. A dashed line points to the Anderson connector. An arrow indicates the connection to the solar charging cable. Another dashed line points to the Anderson connector on the cable. A break symbol (two wavy lines) follows, leading to the DC8020 input port of the power station. A dashed line points to this port on the power station's internal panel.</p>


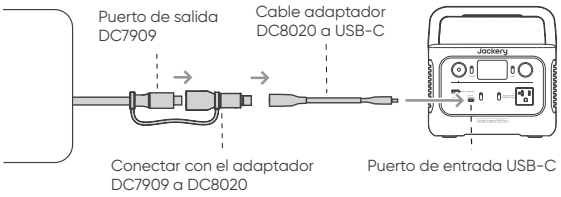

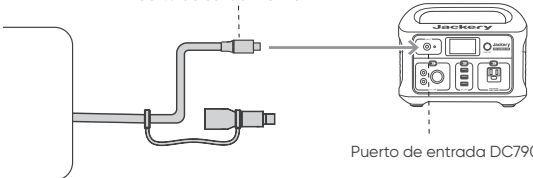

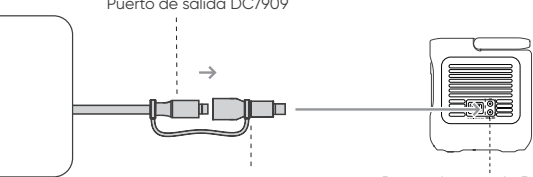
TABLA DE CONTENIDOS


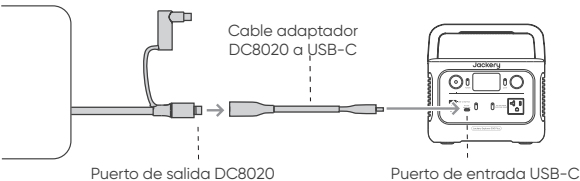

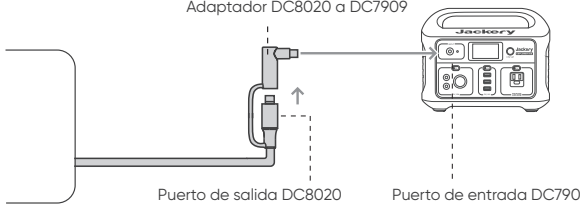

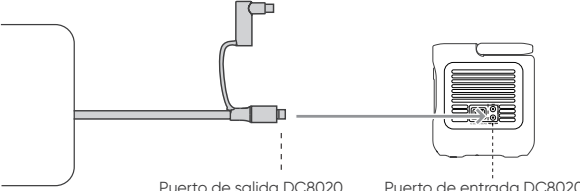
Panel solar Jackery SolarSaga 40 Mini (JS-40A)	25
Panel solar Jackery SolarSaga 60 (SPL061)	26
Panel solar Jackery SolarSaga 80 (JS-80A)	27
Panel solar Jackery SolarSaga 100 (JS-100A)	28
Panel solar Jackery SolarSaga 100 (JS-100C)	29
Panel solar Jackery SolarSaga 100 (JS-100D)	30
Panel solar Jackery SolarSaga 100 Prime (JS-100E)	31
Panel solar Jackery SolarSaga 100 (JS-100F)	32
Panel solar Jackery SolarSaga 200 (JS-200A)	33
Panel solar Jackery SolarSaga 200 (JS-200C)	34
Panel solar Jackery SolarSaga 200 (JS-200D)	35
Panel solar Jackery SolarSaga 85/panel solar SolarSaga 500 X (JS-85A/JS-500A)	36

Entrada de CC	Estación de energía portátil	Método de conexión	Detalles de la conexión
 USB-C	Explorer 100 Plus Explorer 240 V2 Explorer 280 Plus Explorer 300 Plus	<ol style="list-style-type: none"> 1. Conecte el puerto de salida DC8020 del panel solar al puerto de entrada del cable adaptador DC8020 a USB-C. 2. Conecte el puerto de salida USB-C al puerto de entrada CC de la estación de energía. 	 <p>Puerto de salida DC8020</p> <p>Cable adaptador DC8020 a USB-C</p> <p>Puerto de entrada USB-C</p>
 DC7909	Explorer 160 Explorer 290 Plus Explorer 1000 Explorer 240 Explorer 290 Explorer 300 Explorer 500 Explorer 550 Explorer 880	<p>* Si falta alguna pieza, por favor contacte al servicio de atención al cliente de Jackery.</p> <ol style="list-style-type: none"> 1. Conecte el puerto de salida DC8020 del panel solar al adaptador DC8020 a DC7909. 2. Conecte el puerto de salida DC7909 al puerto de entrada DC de la estación de energía. 	 <p>Puerto de salida DC8020</p> <p>Adaptador DC8020 a DC7909</p> <p>Puerto de entrada DC7909</p>
 DC8020	Explorer 1000 V2 Explorer 1000 Plus Explorer 1000 Pro Explorer 1500 Explorer 1500 Pro Explorer 2000 V2 Explorer 2000 Plus Explorer 2000 Pro Explorer 3000 Pro Explorer 600 Plus Explorer 700 Plus Explorer 880 Pro HomePower 3000 Explorer 5000 Plus Novedades	<p>Conecte el puerto de salida DC8020 del panel solar al puerto de entrada CC de la estación de energía.</p>	 <p>Puerto de salida DC8020</p> <p>Puerto de entrada DC8020</p>

Panel solar Jackery SolarSaga 60 (SPL061)


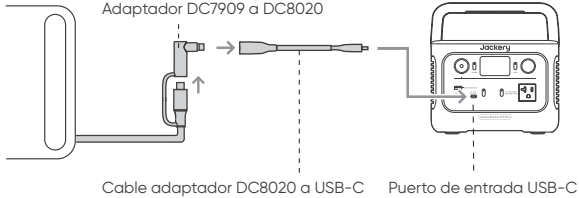

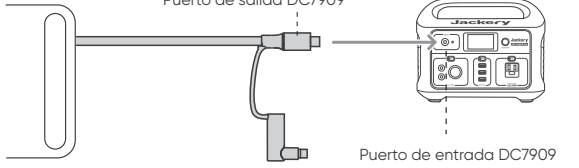

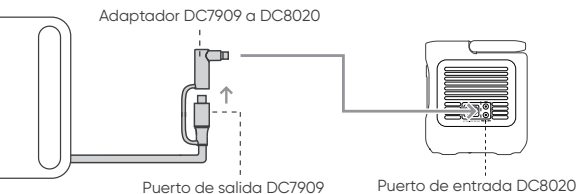
ES


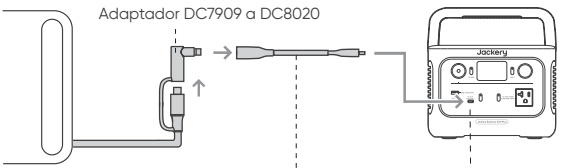

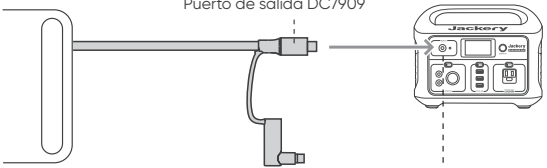

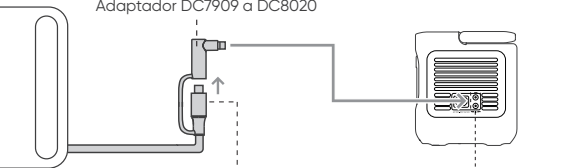
Entrada de CC	Estación de energía portátil	Método de conexión	Detalles de la conexión
 <p>USB-C</p>	<p>Explorer 100 Plus Explorer 240 V2 Explorer 280 Plus Explorer 300 Plus</p>	<p>El cable adaptador de DC8020 a USB-C se vende por separado.</p> <ol style="list-style-type: none"> 1. Conecte el puerto de salida DC7909 del panel solar al adaptador DC7909 a DC8020. 2. Conecte el puerto de salida DC8020 al cable adaptador DC8020 a USB-C. 3. Conecte el puerto de salida USB-C al puerto de entrada CC de la estación de energía. 	 <p>Puerto de salida DC7909</p> <p>Cable adaptador DC8020 a USB-C</p> <p>Conectar con el adaptador DC7909 a DC8020</p> <p>Puerto de entrada USB-C</p>
 <p>DC7909</p>	<p>Explorer 160 Explorer 290 Plus Explorer 1000 Explorer 240 Explorer 290 Explorer 300 Explorer 500 Explorer 550 Explorer 880</p>	<p>Conecte el puerto de salida DC7909 del panel solar al puerto de entrada CC de la estación de energía.</p>	 <p>Puerto de salida DC7909</p> <p>Puerto de entrada DC7909</p>
 <p>DC8020</p>	<p>Explorer 1000 V2 Explorer 1000 Plus Explorer 1000 Pro Explorer 1500 Explorer 1500 Pro Explorer 2000 V2 Explorer 2000 Plus Explorer 2000 Pro Explorer 3000 Pro Explorer 600 Plus Explorer 700 Plus Explorer 880 Pro HomePower 3000 Explorer 5000 Plus Novedades</p>	<ol style="list-style-type: none"> 1. Conecte el puerto de salida DC7909 del panel solar al adaptador DC7909 a DC8020. 2. Conecte el puerto de salida DC8020 del adaptador al puerto de entrada CC de la estación de energía. 	 <p>Puerto de salida DC7909</p> <p>Adaptador DC7909 a DC8020</p> <p>Puerto de entrada DC8020</p>


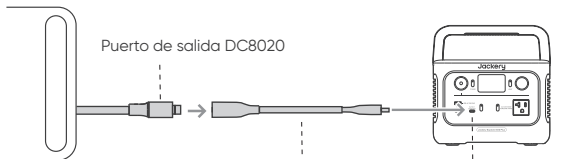

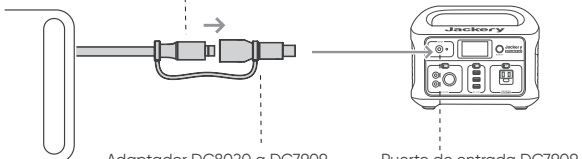

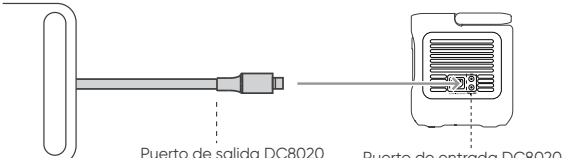
Entrada de CC	Estación de energía portátil	Método de conexión	Detalles de la conexión
 USB-C	Explorer 100 Plus Explorer 240 V2 Explorer 280 Plus Explorer 300 Plus	El cable adaptador de DC8020 a USB-C se vende por separado. 1. Conecte el puerto de salida DC8020 del panel solar al puerto de entrada del cable adaptador DC8020 a USB-C. 2. Conecte el puerto de salida USB-C al puerto de entrada CC de la estación de energía.	 <p>Cable adaptador DC8020 a USB-C</p> <p>Puerto de salida DC8020</p> <p>Puerto de entrada USB-C</p>
 DC7909	Explorer 160 Explorer 290 Plus Explorer 1000 Explorer 240 Explorer 290 Explorer 300 Explorer 500 Explorer 550 Explorer 880	1. Conecte el puerto de salida DC8020 del panel solar al adaptador DC8020 a DC7909 en el cable. 2. Conecte el puerto de salida DC7909 del adaptador al puerto de entrada CC de la estación de energía.	 <p>Adaptador DC8020 a DC7909</p> <p>Puerto de salida DC8020</p> <p>Puerto de entrada DC7909</p>
 DC8020	Explorer 1000 V2 Explorer 1000 Plus Explorer 1000 Pro Explorer 1500 Explorer 1500 Pro Explorer 2000 V2 Explorer 2000 Plus Explorer 2000 Pro Explorer 3000 Pro Explorer 600 Plus Explorer 700 Plus Explorer 880 Pro HomePower 3000 Explorer 5000 Plus Novedades	Conecte el puerto de salida DC8020 del panel solar al puerto de entrada CC de la estación de energía.	 <p>Puerto de salida DC8020</p> <p>Puerto de entrada DC8020</p>


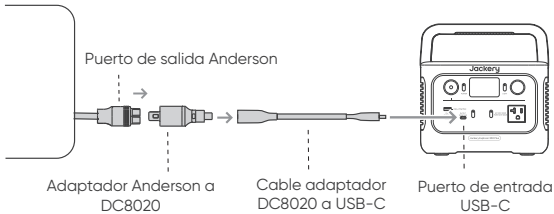

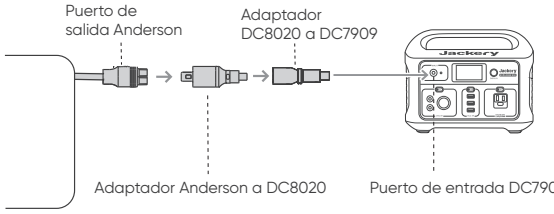

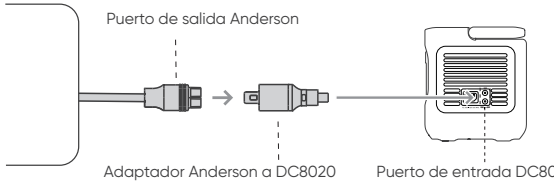
Panel solar Jackery SolarSaga 100 (JS-100A)


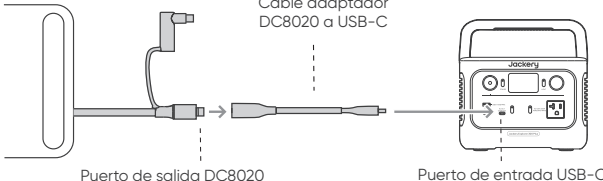

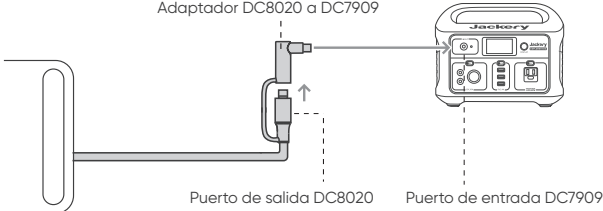

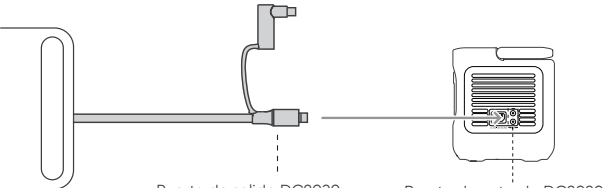
ES


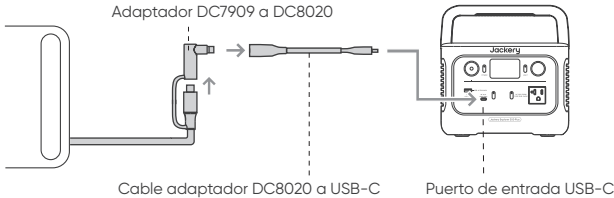

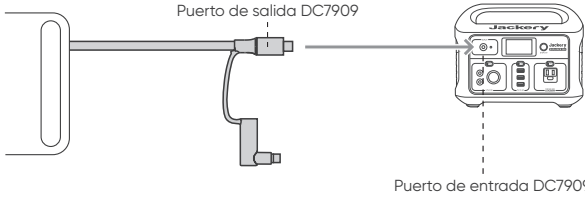

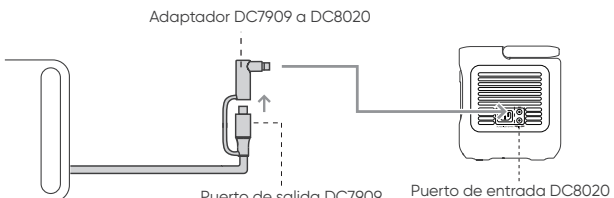
Entrada de CC	Estación de energía portátil	Método de conexión	Detalles de la conexión
 <p>USB-C</p>	<p>Explorer 100 Plus Explorer 240 V2 Explorer 280 Plus Explorer 300 Plus</p>	<p>El cable adaptador de DC8020 a USB-C se vende por separado.</p> <ol style="list-style-type: none"> 1. Conecte el puerto de salida DC7909 del panel solar al adaptador DC7909 a DC8020. 2. Conecte el puerto de salida DC8020 al cable adaptador DC8020 a USB-C. 3. Conecte el puerto de salida USB-C al puerto de entrada CC de la estación de energía. 	 <p>Adaptador DC7909 a DC8020</p> <p>Cable adaptador DC8020 a USB-C</p> <p>Puerto de entrada USB-C</p>
 <p>DC7909</p>	<p>Explorer 160 Explorer 290 Plus Explorer 1000 Explorer 240 Explorer 290 Explorer 300 Explorer 500 Explorer 550 Explorer 880</p>	<p>Conecte el puerto de salida DC7909 del panel solar al puerto de entrada CC de la estación de energía.</p>	 <p>Puerto de salida DC7909</p> <p>Puerto de entrada DC7909</p>
 <p>DC8020</p>	<p>Explorer 1000 V2 Explorer 1000 Plus Explorer 1000 Pro Explorer 1500 Explorer 1500 Pro Explorer 2000 V2 Explorer 2000 Plus Explorer 2000 Pro Explorer 3000 Pro Explorer 600 Plus Explorer 700 Plus Explorer 880 Pro HomePower 3000 Explorer 5000 Plus Novedades</p>	<ol style="list-style-type: none"> 1. Conecte el puerto de salida DC7909 del panel solar al adaptador DC7909 a DC8020. 2. Conecte el puerto de salida DC8020 del adaptador al puerto de entrada CC de la estación de energía. 	 <p>Adaptador DC7909 a DC8020</p> <p>Puerto de salida DC7909</p> <p>Puerto de entrada DC8020</p>

Entrada de CC	Estación de energía portátil	Método de conexión	Detalles de la conexión
 USB-C	Explorer 100 Plus Explorer 240 V2 Explorer 280 Plus Explorer 300 Plus	El cable adaptador de DC8020 a USB-C se vende por separado. 1. Conecte el puerto de salida DC7909 del panel solar al adaptador DC7909 a DC8020. 2. Conecte el puerto de salida DC8020 al cable adaptador DC8020 a USB-C. 3. Conecte el puerto de salida USB-C al puerto de entrada CC de la estación de energía.	 <p>Adaptador DC7909 a DC8020</p> <p>Cable adaptador DC8020 a USB-C</p> <p>Puerto de entrada USB-C</p>
 DC7909	Explorer 160 Explorer 290 Plus Explorer 1000 Explorer 240 Explorer 290 Explorer 300 Explorer 500 Explorer 550 Explorer 880	Conecte el puerto de salida DC7909 del panel solar al puerto de entrada CC de la estación de energía.	 <p>Puerto de salida DC7909</p> <p>Puerto de entrada DC7909</p>
 DC8020	Explorer 1000 V2 Explorer 1000 Plus Explorer 1000 Pro Explorer 1500 Explorer 1500 Pro Explorer 2000 V2 Explorer 2000 Plus Explorer 2000 Pro Explorer 3000 Pro Explorer 600 Plus Explorer 700 Plus Explorer 880 Pro HomePower 3000 Explorer 5000 Plus Novedades	1. Conecte el puerto de salida DC7909 del panel solar al adaptador DC7909 a DC8020 en el cable. 2. Conecte el puerto de salida DC8020 del adaptador al puerto de entrada CC de la estación de energía.	 <p>Adaptador DC7909 a DC8020</p> <p>Puerto de salida DC7909</p> <p>Puerto de entrada DC8020</p>

Entrada de CC	Estación de energía portátil	Método de conexión	Detalles de la conexión
 USB-C	Explorer 100 Plus Explorer 240 V2 Explorer 280 Plus Explorer 300 Plus	El cable adaptador de DC8020 a USB-C se vende por separado. 1. Conecte el puerto de salida DC8020 del panel solar al puerto de entrada del cable adaptador DC8020 a USB-C. 2. Conecte el puerto de salida USB-C al puerto de entrada CC de la estación de energía.	 <p>Puerto de salida DC8020</p> <p>Cable adaptador DC8020 a USB-C</p> <p>Puerto de entrada USB-C</p>
 DC7909	Explorer 160 Explorer 290 Plus Explorer 1000 Explorer 240 Explorer 290 Explorer 300 Explorer 500 Explorer 550 Explorer 880	Los usuarios deben comprar un adaptador DC8020 a DC7909 por separado. 1. Conecte el puerto de salida DC8020 del panel solar al adaptador DC8020 a DC7909. 2. Conecte el puerto de salida DC7909 del adaptador al puerto de entrada CC de la estación de energía.	 <p>Puerto de salida DC8020</p> <p>Adaptador DC8020 a DC7909</p> <p>Puerto de entrada DC7909</p>
 DC8020	Explorer 1000 V2 Explorer 1000 Plus Explorer 1000 Pro Explorer 1500 Explorer 1500 Pro Explorer 2000 V2 Explorer 2000 Plus Explorer 2000 Pro Explorer 3000 Pro Explorer 600 Plus Explorer 700 Plus Explorer 880 Pro HomePower 3000 Explorer 5000 Plus Novedades	Conecte el puerto de salida DC8020 del panel solar al puerto de entrada CC de la estación de energía.	 <p>Puerto de salida DC8020</p> <p>Puerto de entrada DC8020</p>


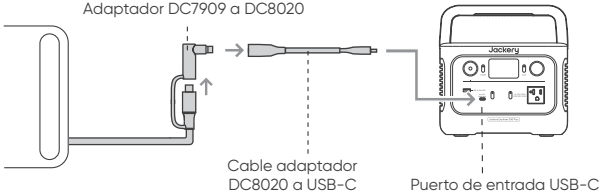

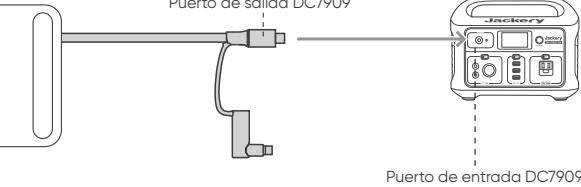

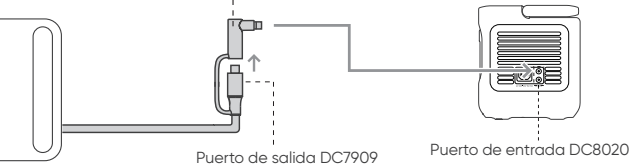
Entrada de CC	Estación de energía portátil	Método de conexión	Detalles de la conexión
 USB-C	Explorer 100 Plus Explorer 240 V2 Explorer 280 Plus Explorer 300 Plus	El cable adaptador de DC8020 a USB-C se vende por separado. 1. Conecte el puerto de salida Anderson CC del panel solar al adaptador Anderson a DC8020 en el cable. 2. Conecte el puerto de salida DC8020 al cable adaptador DC8020 a USB-C. 3. Conecte el puerto de salida USB-C al puerto de entrada CC de la estación de energía.	 <p>Puerto de salida Anderson</p> <p>Adaptador Anderson a DC8020</p> <p>Cable adaptador DC8020 a USB-C</p> <p>Puerto de entrada USB-C</p>
 DC7909	Explorer 160 Explorer 290 Plus Explorer 1000 Explorer 240 Explorer 290 Explorer 300 Explorer 500 Explorer 550 Explorer 880	Los usuarios deben comprar un adaptador DC8020 a DC7909 por separado. 1. Conecte el puerto de salida Anderson CC del panel solar al adaptador Anderson a DC8020 en el cable. 2. Conecte el puerto de salida DC8020 al adaptador DC8020 a DC7909. 3. Conecte el puerto de salida DC7909 al puerto de entrada DC de la estación de energía.	 <p>Puerto de salida Anderson</p> <p>Adaptador Anderson a DC8020</p> <p>Adaptador DC8020 a DC7909</p> <p>Puerto de entrada DC7909</p>
 DC8020	Explorer 1000 V2 Explorer 1000 Plus Explorer 1000 Pro Explorer 1500 Explorer 1500 Pro Explorer 2000 V2 Explorer 2000 Plus Explorer 2000 Pro Explorer 3000 Pro Explorer 600 Plus Explorer 700 Plus Explorer 880 Pro HomePower 3000 Explorer 5000 Plus Novedades	1. Conecte el puerto de salida Anderson CC del panel solar al adaptador Anderson a DC8020 en el cable. 2. Conecte el puerto de salida DC8020 al puerto de entrada CC de la estación de energía.	 <p>Puerto de salida Anderson</p> <p>Adaptador Anderson a DC8020</p> <p>Puerto de entrada DC8020</p>


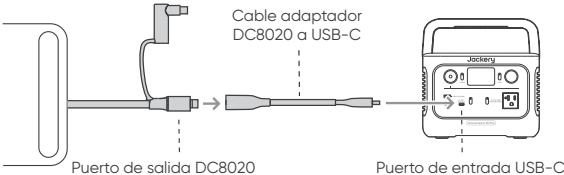

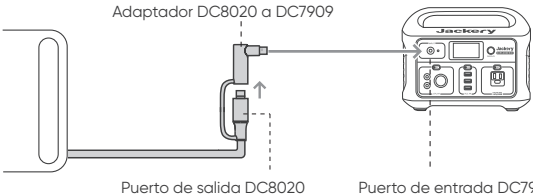

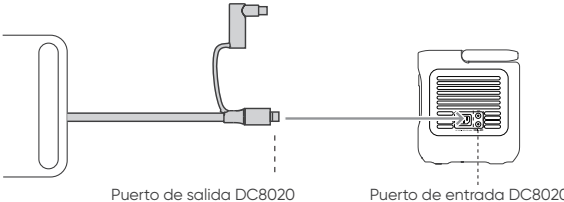
Entrada de CC	Estación de energía portátil	Método de conexión	Detalles de la conexión
 <p>USB-C</p>	<p>Explorer 100 Plus Explorer 240 V2 Explorer 280 Plus Explorer 300 Plus</p>	<p>El cable adaptador de DC8020 a USB-C se vende por separado.</p> <ol style="list-style-type: none"> 1. Conecte el puerto de salida DC8020 del panel solar al cable adaptador DC8020 a USB-C. 2. Conecte el puerto de salida USB-C al puerto de entrada CC de la estación de energía. 	 <p>Cable adaptador DC8020 a USB-C</p> <p>Puerto de salida DC8020</p> <p>Puerto de entrada USB-C</p>
 <p>DC7909</p>	<p>Explorer 160 Explorer 290 Plus Explorer 1000 Explorer 240 Explorer 290 Explorer 300 Explorer 500 Explorer 550 Explorer 880</p>	<ol style="list-style-type: none"> 1. Conecte el puerto de salida DC8020 del panel solar al adaptador DC8020 a DC7909. 2. Conecte el puerto de salida DC7909 del adaptador al puerto de entrada CC de la estación de energía. 	 <p>Adaptador DC8020 a DC7909</p> <p>Puerto de salida DC8020</p> <p>Puerto de entrada DC7909</p>
 <p>DC8020</p>	<p>Explorer 1000 V2 Explorer 1000 Plus Explorer 1000 Pro Explorer 1500 Explorer 1500 Pro Explorer 2000 V2 Explorer 2000 Plus Explorer 2000 Pro Explorer 3000 Pro Explorer 600 Plus Explorer 700 Plus Explorer 880 Pro HomePower 3000 Explorer 5000 Plus Novedades</p>	<p>Conecte el puerto de salida DC8020 del panel solar al puerto de entrada CC de la estación de energía.</p>	 <p>Puerto de salida DC8020</p> <p>Puerto de entrada DC8020</p>


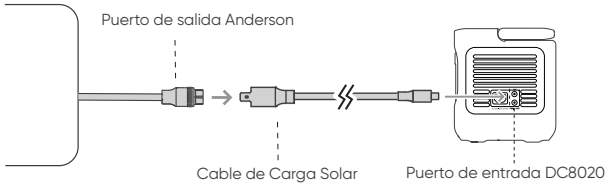
Entrada de CC	Estación de energía portátil	Método de conexión	Detalles de la conexión
 USB-C	Explorer 100 Plus Explorer 240 V2 Explorer 280 Plus Explorer 300 Plus	El cable adaptador de DC8020 a USB-C se vende por separado. 1. Conecte el puerto de salida DC7909 del panel solar al adaptador DC7909 a DC8020. 2. Conecte el puerto de salida DC8020 al cable adaptador DC8020 a USB-C. 3. Conecte el puerto de salida USB-C al puerto de entrada CC de la estación de energía.	 <p>Adaptador DC7909 a DC8020</p> <p>Cable adaptador DC8020 a USB-C</p> <p>Puerto de entrada USB-C</p>
 DC7909	Explorer 160 Explorer 290 Plus Explorer 1000 Explorer 240 Explorer 290 Explorer 300 Explorer 500 Explorer 550 Explorer 880	Conecte el puerto de salida DC7909 del panel solar al puerto de entrada CC de la estación de energía.	 <p>Puerto de salida DC7909</p> <p>Puerto de entrada DC7909</p>
 DC8020	Explorer 1000 V2 Explorer 1000 Plus Explorer 1000 Pro Explorer 1500 Explorer 1500 Pro Explorer 2000 V2 Explorer 2000 Plus Explorer 2000 Pro Explorer 3000 Pro Explorer 600 Plus Explorer 700 Plus Explorer 880 Pro HomePower 3000 Explorer 5000 Plus Novedades	1. Conecte el puerto de salida DC7909 del panel solar al adaptador DC7909 a DC8020. 2. Conecte el puerto de salida DC8020 del adaptador al puerto de entrada CC de la estación de energía.	 <p>Adaptador DC7909 a DC8020</p> <p>Puerto de salida DC7909</p> <p>Puerto de entrada DC8020</p>

Panel solar Jackery SolarSaga 200 (JS-200C)

ES


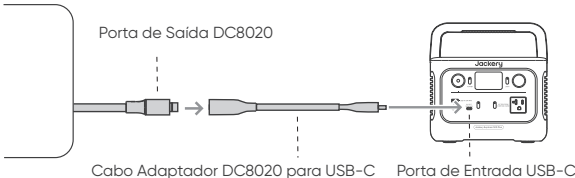

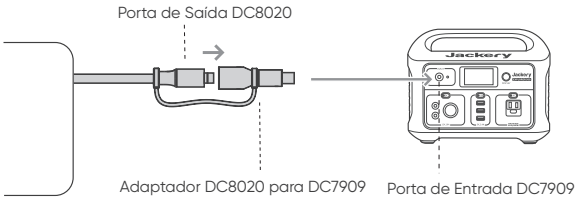

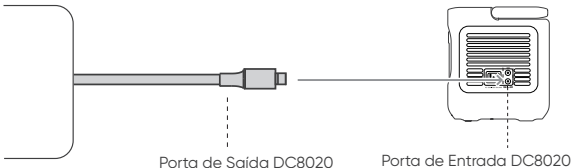
Entrada de CC	Estación de energía portátil	Método de conexión	Detalles de la conexión
 <p>USB-C</p>	<p>Explorer 100 Plus Explorer 240 V2 Explorer 280 Plus Explorer 300 Plus</p>	<p>El cable adaptador de DC8020 a USB-C se vende por separado.</p> <ol style="list-style-type: none"> 1. Conecte el puerto de salida DC7909 del panel solar al adaptador DC7909 a DC8020. 2. Conecte el puerto de salida DC8020 al cable adaptador DC8020 a USB-C. 3. Conecte el puerto de salida USB-C al puerto de entrada CC de la estación de energía. 	 <p>Adaptador DC7909 a DC8020</p> <p>Cable adaptador DC8020 a USB-C</p> <p>Puerto de entrada USB-C</p>
 <p>DC7909</p>	<p>Explorer 160 Explorer 290 Plus Explorer 1000 Explorer 240 Explorer 290 Explorer 300 Explorer 500 Explorer 550 Explorer 880</p>	<p>Conecte el puerto de salida DC7909 del panel solar al puerto de entrada CC de la estación de energía.</p>	 <p>Puerto de salida DC7909</p> <p>Puerto de entrada DC7909</p>
 <p>DC8020</p>	<p>Explorer 1000 V2 Explorer 1000 Plus Explorer 1000 Pro Explorer 1500 Explorer 1500 Pro Explorer 2000 V2 Explorer 2000 Plus Explorer 2000 Pro Explorer 3000 Pro Explorer 600 Plus Explorer 700 Plus Explorer 880 Pro HomePower 3000 Explorer 5000 Plus Novedades</p>	<ol style="list-style-type: none"> 1. Conecte el puerto de salida DC7909 del panel solar al adaptador DC7909 a DC8020. 2. Conecte el puerto de salida DC8020 del adaptador al puerto de entrada CC de la estación de energía. 	 <p>Adaptador DC7909 a DC8020</p> <p>Puerto de salida DC7909</p> <p>Puerto de entrada DC8020</p>


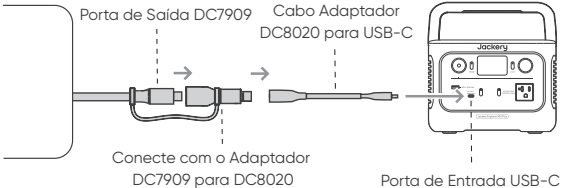

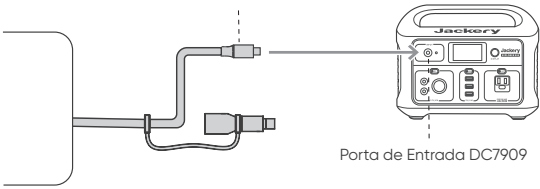

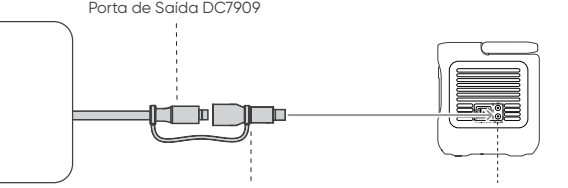
Entrada de CC	Estación de energía portátil	Método de conexión	Detalles de la conexión
 USB-C	Explorer 100 Plus Explorer 240 V2 Explorer 280 Plus Explorer 300 Plus	El cable adaptador de DC8020 a USB-C se vende por separado. 1. Conecte el puerto de salida DC8020 del panel solar al puerto de entrada del cable adaptador DC8020 a USB-C. 2. Conecte el puerto de salida USB-C al puerto de entrada CC de la estación de energía.	 <p>Cable adaptador DC8020 a USB-C</p> <p>Puerto de salida DC8020</p> <p>Puerto de entrada USB-C</p>
 DC7909	Explorer 160 Explorer 290 Plus Explorer 1000 Explorer 240 Explorer 290 Explorer 300 Explorer 500 Explorer 550 Explorer 880	1. Conecte el puerto de salida DC8020 del panel solar al adaptador DC8020 a DC7909 en el cable. 2. Conecte el puerto de salida DC7909 del adaptador al puerto de entrada CC de la estación de energía.	 <p>Adaptador DC8020 a DC7909</p> <p>Puerto de salida DC8020</p> <p>Puerto de entrada DC7909</p>
 DC8020	Explorer 1000 V2 Explorer 1000 Plus Explorer 1000 Pro Explorer 1500 Explorer 1500 Pro Explorer 2000 V2 Explorer 2000 Plus Explorer 2000 Pro Explorer 3000 Pro Explorer 600 Plus Explorer 700 Plus Explorer 880 Pro HomePower 3000 Explorer 5000 Plus Novedades	Conecte el puerto de salida DC8020 del panel solar al puerto de entrada CC de la estación de energía.	 <p>Puerto de salida DC8020</p> <p>Puerto de entrada DC8020</p>


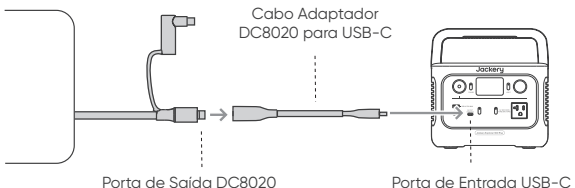

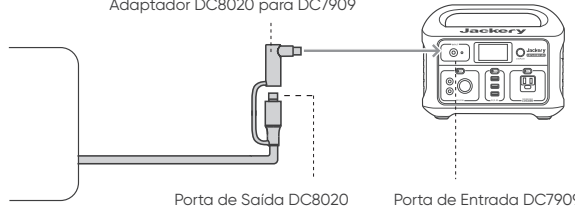

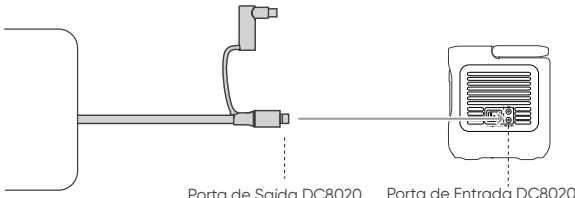
Entrada de CC	Estación de energía portátil	Método de conexión	Detalles de la conexión
 DC8020	Explorer 1000 V2 Explorer 1000 Plus Explorer 1000 Pro Explorer 1500 Explorer 1500 Pro Explorer 2000 V2 Explorer 2000 Plus Explorer 2000 Pro Explorer 3000 Pro Explorer 600 Plus Explorer 700 Plus Explorer 880 Pro HomePower 3000 Explorer 5000 Plus Novedades	<ol style="list-style-type: none"> 1. Conecte el puerto de salida Anderson del panel solar al puerto de entrada del Cable de Carga Solar. 2. Conecte el puerto de salida DC8020 al puerto de entrada de la estación de energía. 	 <p>Puerto de salida Anderson</p> <p>Cable de Carga Solar</p> <p>Puerto de entrada DC8020</p>


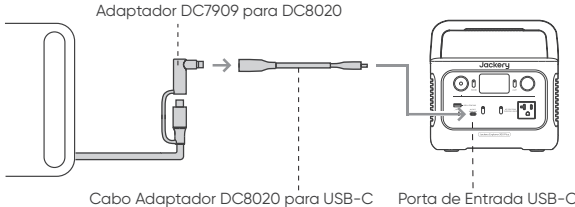

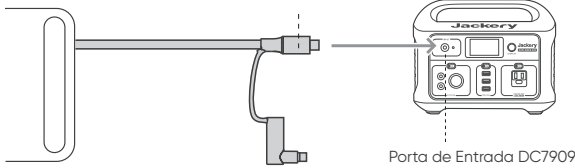

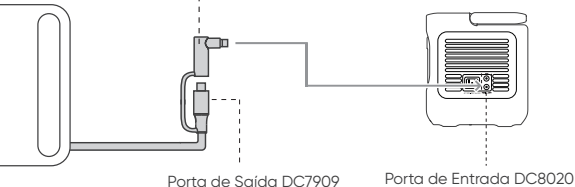
ÍNDICE

Jackery Paine! Solar Mini SolarSaga 40 (JS-40A)	37
Jackery Paine! Solar SolarSaga 60 (SPL061)	38
Jackery Paine! Solar SolarSaga 80 (JS-80A)	39
Jackery Paine! Solar SolarSaga 100 (JS-100A)	40
Jackery Paine! Solar SolarSaga 100 (JS-100C)	41
Jackery Paine! Solar SolarSaga 100 (JS-100D)	42
Jackery Paine! Solar SolarSaga 100 Prime (JS-100E)	43
Jackery Paine! Solar SolarSaga 100 (JS-100F)	44
Jackery Paine! Solar SolarSaga 200 (JS-200A)	45
Jackery Paine! Solar SolarSaga 200 (JS-200C)	46
Jackery Paine! Solar SolarSaga 200 (JS-200D)	47
Jackery Paine! Solar SolarSaga 85 / SolarSaga 500 X (JS-85A / JS-500A)	48

Entrada CC	Estação de Energia Portátil	Método de Conexão	Detalhes da Conexão
 USB-C	Explorer 100 Plus Explorer 240 V2 Explorer 280 Plus Explorer 300 Plus	<ol style="list-style-type: none"> 1. Conecte a porta de saída DC8020 do painel solar à porta de entrada do cabo adaptador DC8020 para USB-C. 2. Conecte a porta de saída USB-C à porta de entrada DC da estação de energia. 	 <p>Porta de Saída DC8020</p> <p>Cabo Adaptador DC8020 para USB-C</p> <p>Porta de Entrada USB-C</p>
 DC7909	Explorer 160 Explorer 290 Plus Explorer 1000 Explorer 240 Explorer 290 Explorer 300 Explorer 500 Explorer 550 Explorer 880	<p>* Se alguma peça estiver faltando, entre em contato com o Atendimento ao Cliente da Jackery.</p> <ol style="list-style-type: none"> 1. Conecte a porta de saída DC8020 do painel solar ao adaptador DC8020 para DC7909. 2. Conecte a porta de saída DC7909 à porta de entrada DC da estação de energia. 	 <p>Porta de Saída DC8020</p> <p>Adaptador DC8020 para DC7909</p> <p>Porta de Entrada DC7909</p>
 DC8020	Explorer 1000 V2 Explorer 1000 Plus Explorer 1000 Pro Explorer 1500 Explorer 1500 Pro Explorer 2000 V2 Explorer 2000 Plus Explorer 2000 Pro Explorer 3000 Pro Explorer 600 Plus Explorer 700 Plus Explorer 880 Pro HomePower 3000 Explorer 5000 Plus Novidades	Conecte a porta de saída DC8020 do painel solar à porta de entrada DC da estação de energia.	 <p>Porta de Saída DC8020</p> <p>Porta de Entrada DC8020</p>


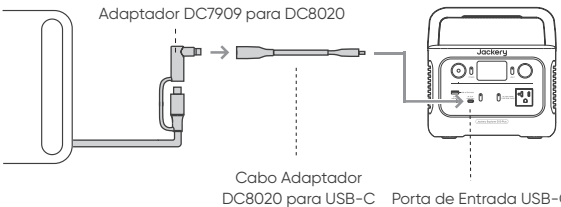

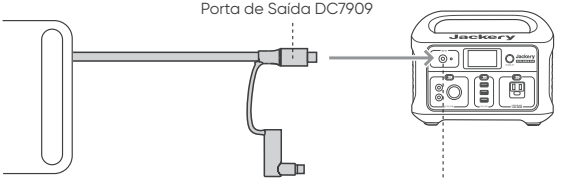

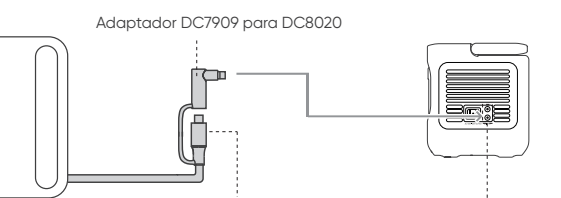
Entrada CC	Estação de Energia Portátil	Método de Conexão	Detalhes da Conexão
 USB-C	Explorer 100 Plus Explorer 240 V2 Explorer 280 Plus Explorer 300 Plus	<p>O cabo adaptador DC8020 para USB-C é vendido separadamente.</p> <ol style="list-style-type: none"> 1. Conecte a porta de saída DC7909 do painel solar ao adaptador DC7909 para DC8020. 2. Conecte a porta de saída DC8020 ao cabo adaptador DC8020 para USB-C. 3. Conecte a porta de saída USB-C à porta de entrada DC da estação de energia. 	 <p>Porta de Saída DC7909 Cabo Adaptador DC8020 para USB-C</p> <p>Conecte com o Adaptador DC7909 para DC8020</p> <p>Porta de Entrada USB-C</p>
 DC7909	Explorer 160 Explorer 290 Plus Explorer 1000 Explorer 240 Explorer 290 Explorer 300 Explorer 500 Explorer 550 Explorer 880	<p>Conecte a porta de saída DC7909 do painel solar à porta de entrada DC da estação de energia.</p>	 <p>Porta de Saída DC7909</p> <p>Porta de Entrada DC7909</p>
 DC8020	Explorer 1000 V2 Explorer 1000 Plus Explorer 1000 Pro Explorer 1500 Explorer 1500 Pro Explorer 2000 V2 Explorer 2000 Plus Explorer 2000 Pro Explorer 3000 Pro Explorer 600 Plus Explorer 700 Plus Explorer 880 Pro HomePower 3000 Explorer 5000 Plus Novidades	<ol style="list-style-type: none"> 1. Conecte a porta de saída DC7909 do painel solar ao adaptador DC7909 para DC8020. 2. Conecte a porta de saída DC8020 do adaptador à porta de entrada DC da estação de energia. 	 <p>Porta de Saída DC7909</p> <p>Adaptador DC7909 para DC8020</p> <p>Porta de Entrada DC8020</p>


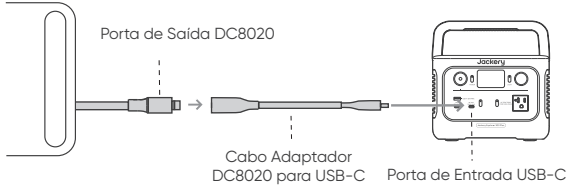

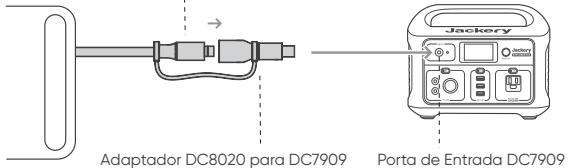

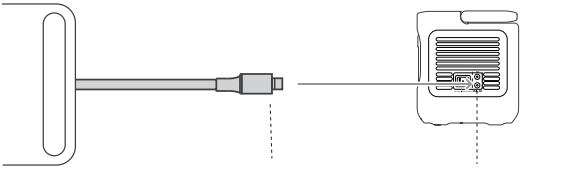
Entrada CC	Estação de Energia Portátil	Método de Conexão	Detalhes da Conexão
 USB-C	Explorer 100 Plus Explorer 240 V2 Explorer 280 Plus Explorer 300 Plus	O cabo adaptador DC8020 para USB-C é vendido separadamente. 1. Conecte a porta de saída DC8020 do painel solar à porta de entrada do cabo adaptador DC8020 para USB-C. 2. Conecte a porta de saída USB-C à porta de entrada DC da estação de energia.	 <p>Cabo Adaptador DC8020 para USB-C</p> <p>Porta de Saída DC8020</p> <p>Porta de Entrada USB-C</p>
 DC7909	Explorer 160 Explorer 290 Plus Explorer 1000 Explorer 240 Explorer 290 Explorer 300 Explorer 500 Explorer 550 Explorer 880	1. Conecte a porta de saída DC8020 do painel solar ao adaptador DC8020 para DC7909 no cabo. 2. Conecte a porta de saída DC7909 do adaptador à porta de entrada DC da estação de energia.	 <p>Adaptador DC8020 para DC7909</p> <p>Porta de Saída DC8020</p> <p>Porta de Entrada DC7909</p>
 DC8020	Explorer 1000 V2 Explorer 1000 Plus Explorer 1000 Pro Explorer 1500 Explorer 1500 Pro Explorer 2000 V2 Explorer 2000 Plus Explorer 2000 Pro Explorer 3000 Pro Explorer 600 Plus Explorer 700 Plus Explorer 880 Pro HomePower 3000 Explorer 5000 Plus Novidades	Conecte a porta de saída DC8020 do painel solar à porta de entrada DC da estação de energia.	 <p>Porta de Saída DC8020</p> <p>Porta de Entrada DC8020</p>


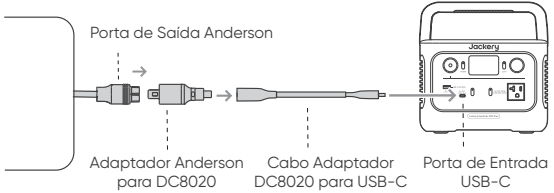

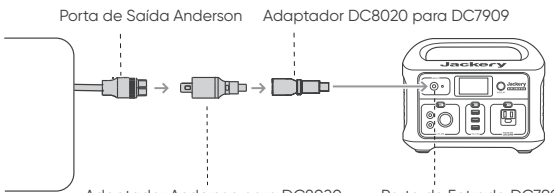

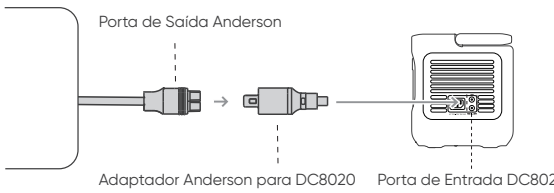
Entrada CC	Estação de Energia Portátil	Método de Conexão	Detalhes da Conexão
 USB-C	Explorer 100 Plus Explorer 240 V2 Explorer 280 Plus Explorer 300 Plus	<p>O cabo adaptador DC8020 para USB-C é vendido separadamente.</p> <ol style="list-style-type: none"> 1. Conecte a porta de saída DC7909 do painel solar ao adaptador DC7909 para DC8020. 2. Conecte a porta de saída DC8020 ao cabo adaptador DC8020 para USB-C. 3. Conecte a porta de saída USB-C à porta de entrada DC da estação de energia. 	 <p>Adaptador DC7909 para DC8020</p> <p>Cabo Adaptador DC8020 para USB-C</p> <p>Porta de Entrada USB-C</p>
 DC7909	Explorer 160 Explorer 290 Plus Explorer 1000 Explorer 240 Explorer 290 Explorer 300 Explorer 500 Explorer 550 Explorer 880	<p>Conecte a porta de saída DC7909 do painel solar à porta de entrada DC da estação de energia.</p>	 <p>Porta de Saída DC7909</p> <p>Porta de Entrada DC7909</p>
 DC8020	Explorer 1000 V2 Explorer 1000 Plus Explorer 1000 Pro Explorer 1500 Explorer 1500 Pro Explorer 2000 V2 Explorer 2000 Plus Explorer 2000 Pro Explorer 3000 Pro Explorer 600 Plus Explorer 700 Plus Explorer 880 Pro HomePower 3000 Explorer 5000 Plus Novidades	<ol style="list-style-type: none"> 1. Conecte a porta de saída DC7909 do painel solar ao adaptador DC7909 para DC8020. 2. Conecte a porta de saída DC8020 do adaptador à porta de entrada DC da estação de energia. 	 <p>Adaptador DC7909 para DC8020</p> <p>Porta de Saída DC7909</p> <p>Porta de Entrada DC8020</p>


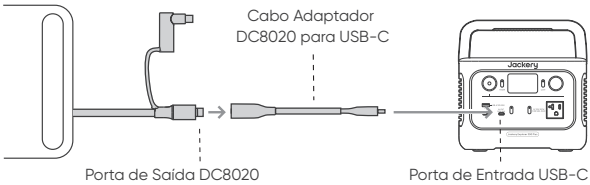

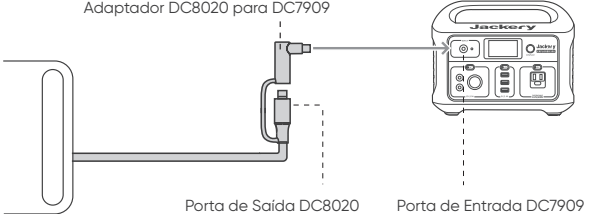
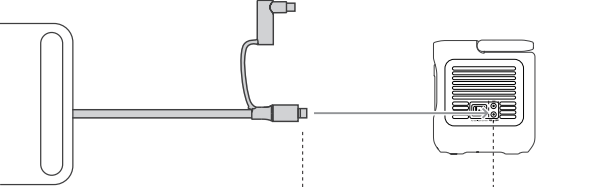
Jackery Painel Solar SolarSaga 100 (JS-100C)


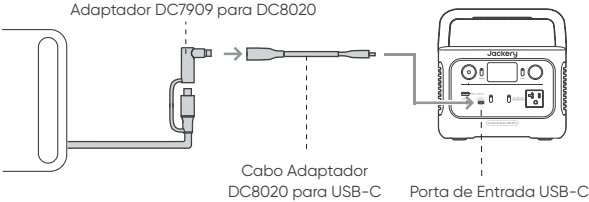

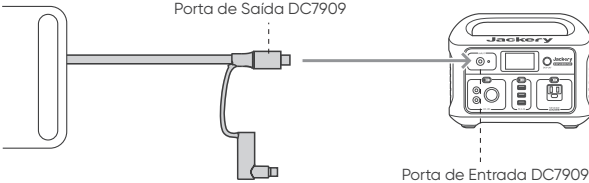

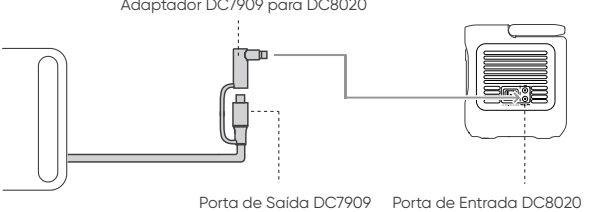
PT


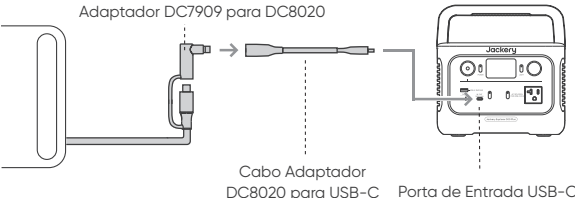

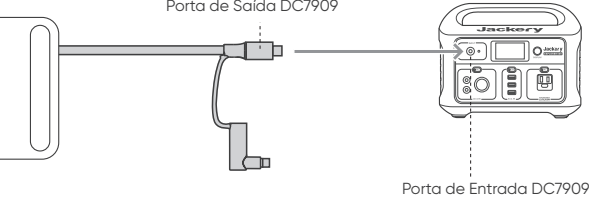

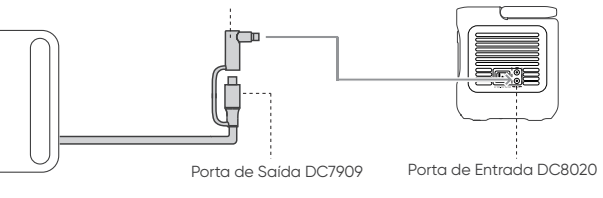
Entrada CC	Estação de Energia Portátil	Método de Conexão	Detalhes da Conexão
 USB-C	Explorer 100 Plus Explorer 240 V2 Explorer 280 Plus Explorer 300 Plus	O cabo adaptador DC8020 para USB-C é vendido separadamente. 1. Conecte a porta de saída DC7909 do painel solar ao adaptador DC7909 para DC8020. 2. Conecte a porta de saída DC8020 ao cabo adaptador DC8020 para USB-C. 3. Conecte a porta de saída USB-C à porta de entrada DC da estação de energia.	 <p>Adaptador DC7909 para DC8020</p> <p>Cabo Adaptador DC8020 para USB-C</p> <p>Porta de Entrada USB-C</p>
 DC7909	Explorer 160 Explorer 290 Plus Explorer 1000 Explorer 240 Explorer 290 Explorer 300 Explorer 500 Explorer 550 Explorer 880	Conecte a porta de saída DC7909 do painel solar à porta de entrada DC da estação de energia.	 <p>Porta de Saída DC7909</p> <p>Porta de Entrada DC7909</p>
 DC8020	Explorer 1000 V2 Explorer 1000 Plus Explorer 1000 Pro Explorer 1500 Explorer 1500 Pro Explorer 2000 V2 Explorer 2000 Plus Explorer 2000 Pro Explorer 3000 Pro Explorer 600 Plus Explorer 700 Plus Explorer 880 Pro HomePower 3000 Explorer 5000 Plus Novidades	1. Conecte a porta de saída DC7909 do painel solar ao adaptador DC7909 para DC8020 no cabo. 2. Conecte a porta de saída DC8020 do adaptador à porta de entrada DC da estação de energia.	 <p>Adaptador DC7909 para DC8020</p> <p>Porta de Saída DC7909</p> <p>Porta de Entrada DC8020</p>


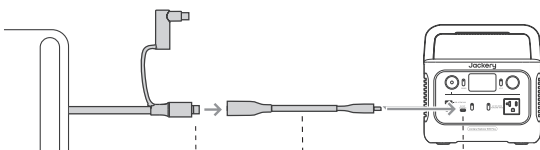

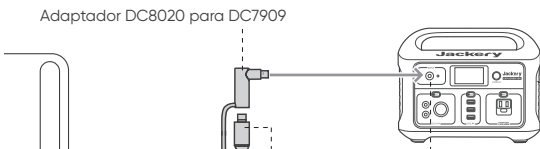

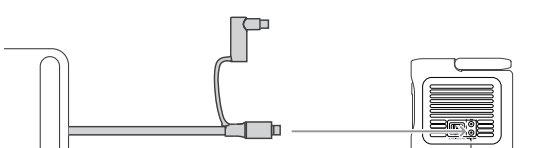
Entrada CC	Estação de Energia Portátil	Método de Conexão	Detalhes da Conexão
 USB-C	Explorer 100 Plus Explorer 240 V2 Explorer 280 Plus Explorer 300 Plus	O cabo adaptador DC8020 para USB-C é vendido separadamente. 1. Conecte a porta de saída DC8020 do painel solar à porta de entrada do cabo adaptador DC8020 para USB-C. 2. Conecte a porta de saída USB-C à porta de entrada DC da estação de energia.	 <p>Porta de Saída DC8020</p> <p>Cabo Adaptador DC8020 para USB-C</p> <p>Porta de Entrada USB-C</p>
 DC7909	Explorer 160 Explorer 290 Plus Explorer 1000 Explorer 240 Explorer 290 Explorer 300 Explorer 500 Explorer 550 Explorer 880	Os usuários precisam adquirir um adaptador DC8020 para DC7909 separadamente. 1. Conecte a porta de saída DC8020 do painel solar ao adaptador DC8020 para DC7909. 2. Conecte a porta de saída DC7909 do adaptador à porta de entrada DC da estação de energia.	 <p>Porta de Saída DC8020</p> <p>Adaptador DC8020 para DC7909</p> <p>Porta de Entrada DC7909</p>
 DC8020	Explorer 1000 V2 Explorer 1000 Plus Explorer 1000 Pro Explorer 1500 Explorer 1500 Pro Explorer 2000 V2 Explorer 2000 Plus Explorer 2000 Pro Explorer 3000 Pro Explorer 600 Plus Explorer 700 Plus Explorer 880 Pro HomePower 3000 Explorer 5000 Plus Novidades	Conecte a porta de saída DC8020 do painel solar à porta de entrada DC da estação de energia.	 <p>Porta de Saída DC8020</p> <p>Porta de Entrada DC8020</p>


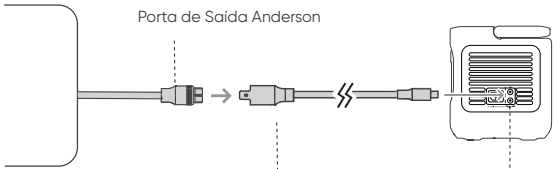
Entrada CC	Estação de Energia Portátil	Método de Conexão	Detalhes da Conexão
 USB-C	Explorer 100 Plus Explorer 240 V2 Explorer 280 Plus Explorer 300 Plus	O cabo adaptador DC8020 para USB-C é vendido separadamente. 1. Conecte a porta de saída DC Anderson do painel solar ao adaptador Anderson para DC8020 no cabo. 2. Conecte a porta de saída DC8020 ao cabo adaptador DC8020 para USB-C. 3. Conecte a porta de saída USB-C à porta de entrada DC da estação de energia.	 <p>Porta de Saída Anderson</p> <p>Adaptador Anderson para DC8020</p> <p>Cabo Adaptador DC8020 para USB-C</p> <p>Porta de Entrada USB-C</p>
 DC7909	Explorer 160 Explorer 290 Plus Explorer 1000 Explorer 240 Explorer 290 Explorer 300 Explorer 500 Explorer 550 Explorer 880	Os usuários precisam adquirir um adaptador DC8020 para DC7909 separadamente. 1. Conecte a porta de saída DC Anderson do painel solar ao adaptador Anderson para DC8020 no cabo. 2. Conecte a porta de saída DC8020 ao adaptador DC8020 para DC7909. 3. Conecte a porta de saída DC7909 à porta de entrada DC da estação de energia.	 <p>Porta de Saída Anderson</p> <p>Adaptador DC8020 para DC7909</p> <p>Adaptador Anderson para DC8020</p> <p>Porta de Entrada DC7909</p>
 DC8020	Explorer 1000 V2 Explorer 1000 Plus Explorer 1000 Pro Explorer 1500 Explorer 1500 Pro Explorer 2000 V2 Explorer 2000 Plus Explorer 2000 Pro Explorer 3000 Pro Explorer 600 Plus Explorer 700 Plus Explorer 880 Pro HomePower 3000 Explorer 5000 Plus Novidades	1. Conecte a porta de saída DC Anderson do painel solar ao adaptador Anderson para DC8020 no cabo. 2. Conecte a porta de saída DC8020 à porta de entrada DC da estação de energia.	 <p>Porta de Saída Anderson</p> <p>Adaptador Anderson para DC8020</p> <p>Porta de Entrada DC8020</p>

Entrada CC	Estação de Energia Portátil	Método de Conexão	Detalhes da Conexão
 USB-C	Explorer 100 Plus Explorer 240 V2 Explorer 280 Plus Explorer 300 Plus	<p>O cabo adaptador DC8020 para USB-C é vendido separadamente.</p> <ol style="list-style-type: none"> 1. Conecte a porta de saída DC8020 do painel solar ao cabo adaptador DC8020 para USB-C. 2. Conecte a porta de saída USB-C à porta de entrada DC da estação de energia. 	 <p>Cabo Adaptador DC8020 para USB-C</p> <p>Porta de Saída DC8020</p> <p>Porta de Entrada USB-C</p>
 DC7909	Explorer 160 Explorer 290 Plus Explorer 1000 Explorer 240 Explorer 290 Explorer 300 Explorer 500 Explorer 550 Explorer 880	<ol style="list-style-type: none"> 1. Conecte a porta de saída DC8020 do painel solar ao adaptador DC8020 para DC7909. 2. Conecte a porta de saída DC7909 do adaptador à porta de entrada DC da estação de energia. 	 <p>Adaptador DC8020 para DC7909</p> <p>Porta de Saída DC8020</p> <p>Porta de Entrada DC7909</p>
	Explorer 1000 V2 Explorer 1000 Plus Explorer 1000 Pro Explorer 1500 Explorer 1500 Pro Explorer 2000 V2 Explorer 2000 Plus Explorer 2000 Pro Explorer 3000 Pro Explorer 600 Plus Explorer 700 Plus Explorer 880 Pro HomePower 3000 Explorer 5000 Plus Novidades	<p>Conecte a porta de saída DC8020 do painel solar à porta de entrada DC da estação de energia.</p>	 <p>Porta de Saída DC8020</p> <p>Porta de Entrada DC8020</p>

Entrada CC	Estação de Energia Portátil	Método de Conexão	Detalhes da Conexão
 USB-C	Explorer 100 Plus Explorer 240 V2 Explorer 280 Plus Explorer 300 Plus	O cabo adaptador DC8020 para USB-C é vendido separadamente. 1. Conecte a porta de saída DC7909 do painel solar ao adaptador DC7909 para DC8020. 2. Conecte a porta de saída DC8020 ao cabo adaptador DC8020 para USB-C. 3. Conecte a porta de saída USB-C à porta de entrada DC da estação de energia.	
 DC7909	Explorer 160 Explorer 290 Plus Explorer 1000 Explorer 240 Explorer 290 Explorer 300 Explorer 500 Explorer 550 Explorer 880	Conecte a porta de saída DC7909 do painel solar à porta de entrada DC da estação de energia.	
 DC8020	Explorer 1000 V2 Explorer 1000 Plus Explorer 1000 Pro Explorer 1500 Explorer 1500 Pro Explorer 2000 V2 Explorer 2000 Plus Explorer 2000 Pro Explorer 3000 Pro Explorer 600 Plus Explorer 700 Plus Explorer 880 Pro HomePower 3000 Explorer 5000 Plus Novidades	1. Conecte a porta de saída DC7909 do painel solar ao adaptador DC7909 para DC8020. 2. Conecte a porta de saída DC8020 do adaptador à porta de entrada DC da estação de energia.	

Entrada CC	Estação de Energia Portátil	Método de Conexão	Detalhes da Conexão
 USB-C	Explorer 100 Plus Explorer 240 V2 Explorer 280 Plus Explorer 300 Plus	<p>O cabo adaptador DC8020 para USB-C é vendido separadamente.</p> <ol style="list-style-type: none"> 1. Conecte a porta de saída DC7909 do painel solar ao adaptador DC7909 para DC8020. 2. Conecte a porta de saída DC8020 ao cabo adaptador DC8020 para USB-C. 3. Conecte a porta de saída USB-C à porta de entrada DC da estação de energia. 	 <p>Adaptador DC7909 para DC8020</p> <p>Cabo Adaptador DC8020 para USB-C</p> <p>Porta de Entrada USB-C</p>
 DC7909	Explorer 160 Explorer 290 Plus Explorer 1000 Explorer 240 Explorer 290 Explorer 300 Explorer 500 Explorer 550 Explorer 880	<p>Conecte a porta de saída DC7909 do painel solar à porta de entrada DC da estação de energia.</p>	 <p>Porta de Saída DC7909</p> <p>Porta de Entrada DC7909</p>
 DC8020	Explorer 1000 V2 Explorer 1000 Plus Explorer 1000 Pro Explorer 1500 Explorer 1500 Pro Explorer 2000 V2 Explorer 2000 Plus Explorer 2000 Pro Explorer 3000 Pro Explorer 600 Plus Explorer 700 Plus Explorer 880 Pro HomePower 3000 Explorer 5000 Plus Novidades	<ol style="list-style-type: none"> 1. Conecte a porta de saída DC7909 do painel solar ao adaptador DC7909 para DC8020. 2. Conecte a porta de saída DC8020 do adaptador à porta de entrada DC da estação de energia. 	 <p>Adaptador DC7909 para DC8020</p> <p>Porta de Saída DC7909</p> <p>Porta de Entrada DC8020</p>

Entrada CC	Estação de Energia Portátil	Método de Conexão	Detalhes da Conexão
 USB-C	Explorer 100 Plus Explorer 240 V2 Explorer 280 Plus Explorer 300 Plus	O cabo adaptador DC8020 para USB-C é vendido separadamente. 1. Conecte a porta de saída DC8020 do painel solar à porta de entrada do cabo adaptador DC8020 para USB-C. 2. Conecte a porta de saída USB-C à porta de entrada DC da estação de energia.	 <p>Porta de Saída DC8020 Cabo Adaptador DC8020 para USB-C Porta de Entrada USB-C</p>
 DC7909	Explorer 160 Explorer 290 Plus Explorer 1000 Explorer 240 Explorer 290 Explorer 300 Explorer 500 Explorer 550 Explorer 880	1. Conecte a porta de saída DC8020 do painel solar ao adaptador DC8020 para DC7909 no cabo. 2. Conecte a porta de saída DC7909 do adaptador à porta de entrada DC da estação de energia.	 <p>Adaptador DC8020 para DC7909</p> <p>Porta de Saída DC8020 Porta de Entrada DC7909</p>
 DC8020	Explorer 1000 V2 Explorer 1000 Plus Explorer 1000 Pro Explorer 1500 Explorer 1500 Pro Explorer 2000 V2 Explorer 2000 Plus Explorer 2000 Pro Explorer 3000 Pro Explorer 600 Plus Explorer 700 Plus Explorer 880 Pro HomePower 3000 Explorer 5000 Plus Novidades	Conecte a porta de saída DC8020 do painel solar à porta de entrada DC da estação de energia.	 <p>Porta de Saída DC8020 Porta de Entrada DC8020</p>

Entrada CC	Estação de Energia Portátil	Método de Conexão	Detalhes da Conexão
 DC8020	Explorer 1000 V2 Explorer 1000 Plus Explorer 1000 Pro Explorer 1500 Explorer 1500 Pro Explorer 2000 V2 Explorer 2000 Plus Explorer 2000 Pro Explorer 3000 Pro Explorer 600 Plus Explorer 700 Plus Explorer 880 Pro HomePower 3000 Explorer 5000 Plus Novidades	<ol style="list-style-type: none">1. Conecte a porta de saída Anderson do painel solar à porta de entrada do cabo de carregamento solar.2. Conecte a porta de saída DC8020 à estação de energia.	 <p>Porta de Saída Anderson</p> <p>Cabo de Carregamento Solar</p> <p>Porta de Entrada DC8020</p>

