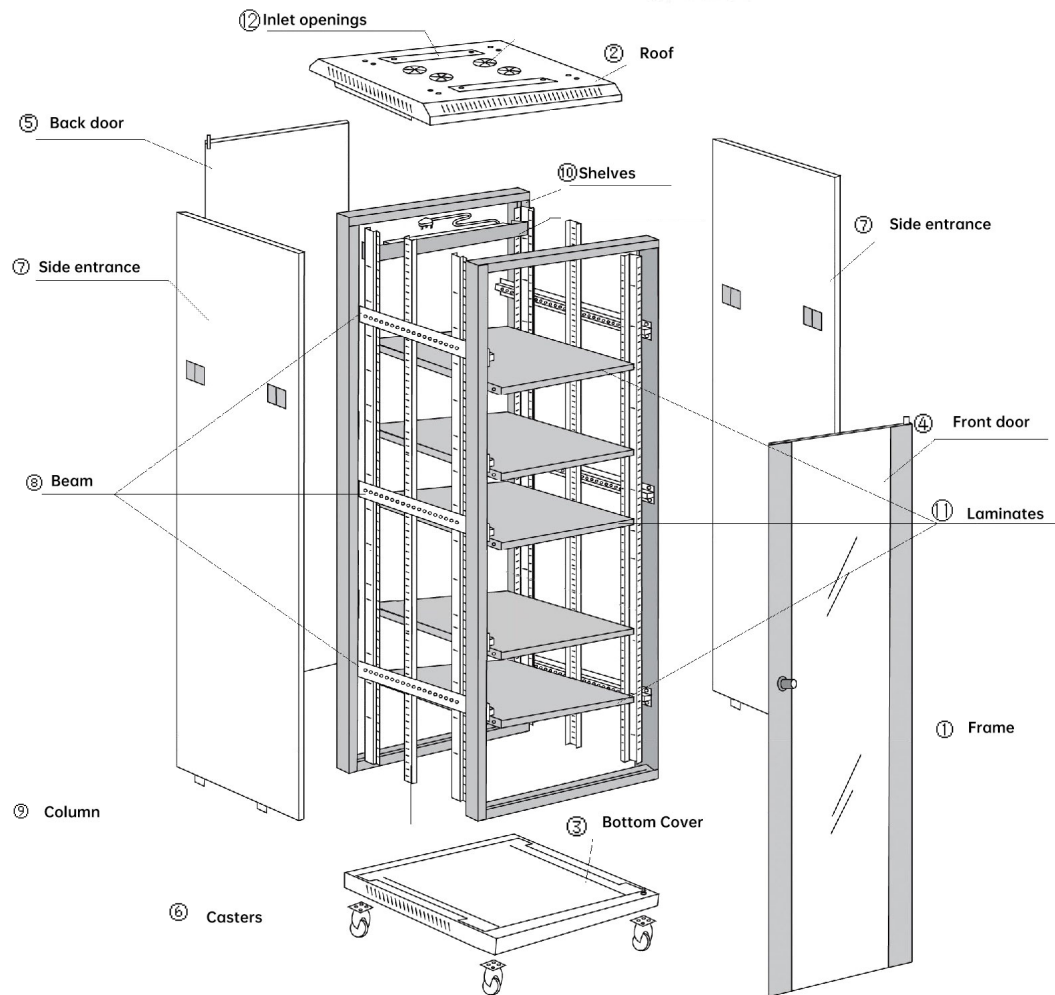


Floor cabinet installation diagram

(Applicable to 19-inch Standard Floor Standing Cabinet)



Item	Part Name	Qty
1	frame	2
2	Roof	1
3	Bottom cover	1
4	Front door	1
5	back door	1
6	Casters	4
7	Side entrance	2
8	beam	4
9	Column	4
10	Shelves	2
11	Laminates	6
12	Inlet openings	2
13	busbar	2
14	wire casing	2
15	Screw	1 Package

Precautions:

1. Wear gloves when installing, and prepare a Phillips screwdriver and a 5mm, 6mm hexagon socket hand;
2. When the mounting profile is installed, there are four mounting holes in the front of the horizontal brace (see the enlarged picture of A), and three holes in the back;
3. When installing one by one, do not tighten the screws first, and then lock the screws after all are installed.

Installation Procedure (by order of installation 1-11)

